

# MITSUBISHI

## A9GT-QCNB type Bus extension connector box

### User's Manual

Thank you for purchasing the MELSEC-GOT Series.  
**To ensure correct use of this equipment, please carefully read this manual prior to use.**



Type	A9GT-QCNB-U
Type Code	1DM133
IB(NA)-0800082-B(0406)MEE	

Mitsubishi Graphic Operation Terminal

#### Manuals

The following manuals are relevant to this product. Refer to the following list and order the required manuals.

##### Detailed Manuals

Manual Name	Manual Number (Type Code)
A985GOT/A975GOT/A970GOT/A960GOT User's Manual (Available as option)	SH-4005 (1DM099)
A950GOT/A951GOT/A953GOT/A956GOT User's Manual (Available as option)	SH-080018 (1DM103)

##### Relevant Manual

For relevant manual, refer to the PDF manual stored within the drawing software.

© 1999 MITSUBISHI ELECTRIC CORPORATION

### ● SAFETY PRECAUTIONS ●

(Read these precautions prior to use.)

When using Mitsubishi equipment, thoroughly read this manual and the associated manuals introduced in this manual. Also pay careful attention to safety and handle the module properly.

These precautions apply only to Mitsubishi equipment. Refer to the CPU module user's manual for a description of the PLC system safety precautions.

These ●SAFETY PRECAUTIONS● classify the safety precautions into two categories: "DANGER" and "CAUTION".



Procedures which may lead to a dangerous condition and cause death or serious injury if not carried out properly.



Procedures which may lead to a dangerous condition and cause superficial to medium injury, or physical damage only, if not carried out properly.

Depending on circumstances, procedures indicated by **⚠CAUTION** may also be linked to serious results.

In any case, it is important to follow the directions for usage.

Store this manual in a safe place so that you can take it out and read it whenever necessary. Always forward it to the end user.

#### [DESIGN PRECAUTIONS]

##### ⚠ DANGER

- Do not bundle control lines or communication wires together with main circuit or power lines, or lay them close to these lines. As a guide, separate the lines by a distance of at least 100 mm (3.94 inch) otherwise malfunctions may occur due to noise.

#### [INSTALLATION PRECAUTIONS]

##### ⚠ DANGER

- Before mounting or dismounting this module to or from the base unit, always shut off GOT and PLC CPU power externally in all phases. Not doing so can cause a module failure or malfunction.
- Before connecting the Bus connection cable to this module, always shut off GOT power and PLC CPU power externally in all phases. Not doing so can cause a malfunction.

##### ⚠ CAUTION

- Use this module in the environment given in the general specifications of the GOT User's Manual. Not doing so can cause an electric shock, fire, malfunction or product damage or deterioration.
- When installing this unit to the base unit, fit it to the connection interface of the base unit and tighten the mounting screws in the specified torque range. Undertightening can cause a drop, failure or malfunction. Overtightening can cause a drop, failure or malfunction due to base unit or screw damage.

#### [WIRING PRECAUTIONS]

##### ⚠ CAUTION

- Insert and fit the bus connection cable into the connector of the module to be connected until it "clicks". After fitting, check for looseness. Not doing so can cause a malfunction due to a connection fault.

#### [STARTUP AND MAINTENANCE PRECAUTIONS]

##### ⚠ DANGER

- Before starting cleaning, always shut off GOT power externally in all phases. Not doing so can cause a module failure or malfunction.

##### ⚠ CAUTION

- Do not disassemble or modify any module. This will cause failure, malfunction, injuries, or fire.
- Do not touch the conductive areas and electronic parts of this module directly. Doing so can cause a module malfunction or failure.
- Always secure the cables connected to the module, e.g. run them in conduits or clamp them. Not doing so can cause module or cable damage due to dangling, moved or accidentally pulled cables or can cause a malfunction due to a cable contact fault.
- Do not hold the cable part when unplugging any cable connected to the module. Doing so can cause module or cable damage or a malfunction due to a cable contact fault.
- Before handling the unit, touch a grounded metal or similar object to discharge the static electricity from the human body. Failure to do so may cause the unit to fail or malfunction.

#### [DISPOSAL PRECAUTIONS]

##### ⚠ CAUTION

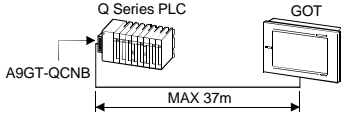
- Dispose of this product as industrial waste.

## 1. OVERVIEW

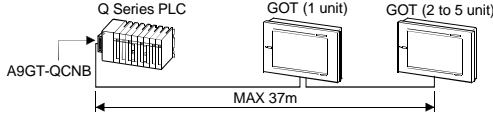
This User's Manual describes the A9GT-QCNB type Bus extension connector box (hereinafter, A9GT-QCNB) when the bus is connected by the use of A9GT-QCNB with the GOT-A900 Series to Q series PLC system, the distance between GOT and the base unit can be extended. Only when the bus is connected with Q series PLC system, can A9GT-QCNB be used with the GOT-A900 series.

When the distance between GOT and the base unit exceeds 13.2m, A9GT-QCNB is used to extend the connection between GOT and the base unit up to 37m.

When the distance between GOT and main base unit exceeds 13.2m for connecting GOT1



When the distance between GOT (1 unit) and main base unit exceeds 13.2m for multiple GOT connections



Refer to the GOT-A900 Series User's Manual (Connection System Manual) for the configuration of the bus connection system.

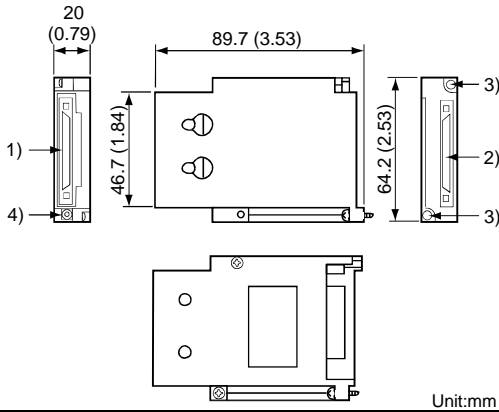
After opening the box, check that the following items are present.

Description	Quantity
A9GT-QCNB	1

## 2. SPECIFICATION

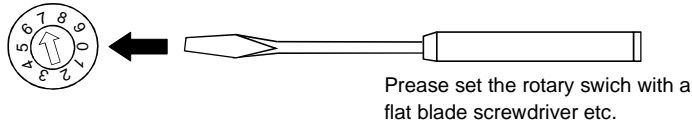
Item	Specification
Internal consumed current (CPU 5VDC) [mA]	30
Weight [kg] (lb)	0.05 (0.1)

## 3. NAME OF THE PARTS AND OUTLINE DIMENSION DRAWING

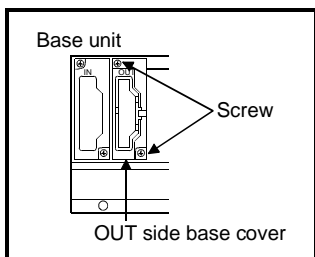


No.	Name	Description
1)	Bus connection cable connecting Interface	Interface for connection of the bus connection cable
2)	Connector	Connector for connection to the GOT
3)	Mounting screw	Screw for mounting GOT
4)	Extension number setting switch	Set to the same number as the extension base that the GOT is connected to. (Factory setting: 7) <Setting range> 1 to 7: Extension number. 8, 9, 0: Must not be used.

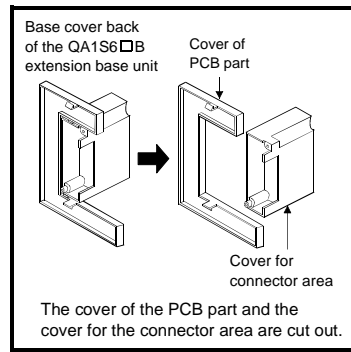
\* Please set the same number of stage as the extension number of stage set with GOT in the extension number of stage set switch of A9GT-QCNB.



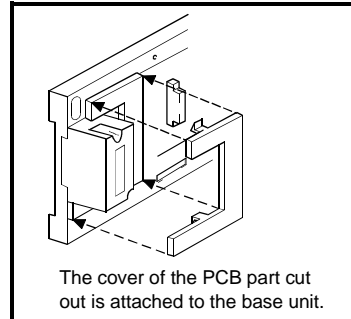
## 4. INSTALLATION PROCEDURE



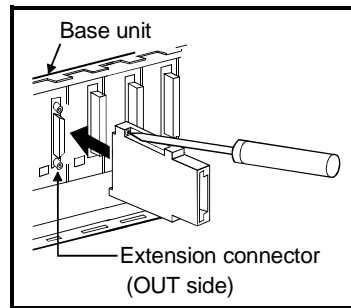
- Loosen the screw on the OUT side base cover of base unit. Please detach the base cover from the base unit.



The cover of the PCB part and the cover for the connector area are cut out.



The cover of the PCB part cut out is attached to the base unit.



- A9GT-QCNB is installed on the QA1S6QB type base unit. Please cover the substrate part, cover for the connector area, and cut out the detached base cover.
- The cover of the substrate part cut out is attached to the base unit again. Please keep the base cover on the connector side. Also please keep the base cover of the QB type base unit.
- A9GT-QCNB is attached to the extension connector of the base unit (OUT side). Tighten and fix the mounting screws (2 pcs.) of the A9GT-QCNB within the specified torque range. (36 to 48N·cm) (3.2 to 4.2 lb·inch)
- To remove the A9GT-QCNB, reverse the installing procedure. To install the base cover, also reverse the removing procedure.

### Warranty

Mitsubishi will not be held liable for damage caused by factors found not to be the cause of Mitsubishi; machine damage or lost profits caused by faults in the Mitsubishi products; damage, secondary damage, accident compensation caused by special factors unpredictable by Mitsubishi; damages to products other than Mitsubishi products; and to other duties.

### For safe use

- This product has been manufactured as a general-purpose part for general industries, and has not been designed or manufactured to be incorporated in a device or system used in purposes related to human life.
- Before using the product for special purposes such as nuclear power, electric power, aerospace, medicine or passenger movement vehicles, consult with Mitsubishi.
- This product has been manufactured under strict quality control. However, when installing the product where major accidents or losses could occur if the product fails, install appropriate backup or failsafe functions in the system.

Country/Region	Sales office/Tel	Country/Region	Sales office/Tel
U.S.A	Mitsubishi Electric Automation Inc. 500 Corporate Woods Parkway Vernon Hills, IL 60061 Tel : +1-847-478-2100	Hong Kong	Ryoden Automation Ltd. 10th Floor, Manulife Tower, 169 Electric Road, North Point, HongKong Tel : +852-2887-8870
Brazil	MELCO-TEC Rep. Com.e Assessoria Tecnica Ltda. AV. Paulista 1471, Conj. 308, Sao Paulo City, Sao Paulo State, Brazil Tel : +55-11-283-2423	China	Ryoden Automation Shanghai Ltd. 3F Block5 Building Automation Instrumentation Plaza 103 Cao Bao Rd. Shanghai 200233 China Tel : +86-21-6475-3228
Germany	Mitsubishi Electric Europe B.V. German Branch Gothaer Strasse 8 D-40880 Ratingen, GERMANY Tel : +49-2102-486-0	Taiwan	Setsuyo Enterprise Co., Ltd. 6F, No.105 Wu-Kung 3rd.RD, Wu-Ku Hsiang, Taipei Hsine, Taiwan Tel : +886-2-2299-2499
U.K	Mitsubishi Electric Europe B.V. UK Branch Travellers Lane, Hatfield, Herts., AL10 8XB,UK Tel : +44-1707-276100	Korea	HAN NEUNG TECHNO CO.,LTD. 1F Dong Seo Game Channel Bldg., 660-11, Deungchon-dong Kangseck-ku, Seoul, Korea Tel : +82-2-3660-9552
Italy	Mitsubishi Electric Europe B.V. Italian Branch Centro Dir. Colleoni, Pal. Perseo-Ingr.2 Via Paracelso 12, 20041 Agrate B., Milano, Italy Tel : +39-039-6053344	Singapore	Mitsubishi Electric Asia Pte. Ltd. 307 ALEXANDRA ROAD #05-01/02, MITSUBISHI ELECTRIC BUILDING SINGAPORE 159843 Tel : +65-6473-2308
Spain	Mitsubishi Electric Europe B.V. Spanish Branch Carretera de Rubi 76-80 08190 - Sant Cugat del Valles, Barcelona, Spain Tel : +34-93-565-3131	Thailand	F. A. Tech Co.,Ltd. 898/28,29,30 S.V.City Building,Office Tower 2, Floor 17-18 Rama 3 Road, Bangkokpang, Yannawa, Bangkok 10120 Tel : +66-2-682-6522
France	Mitsubishi Electric Europe B.V. French Branch 25 Boulevard des Bouvets, F-92741 Nanterre Cedex, France TEL : +33-1-5568-5568	Indonesia	P.T. Autoteknindo SUMBER MAKMUR Jl. Muara Karang Selatan Block A Utara No.1 Kav. No.11 Kawasan Industri/ Pergudangan Jakarta - Utara 14440 Tel : +62-21-663-0833
South Africa	Circuit Breaker Industries LTD. Tripswitch Drive, Elandsfontein Gauteng, South Africa Tel : +27-11-928-2000	India	Messung Systems Put, Ltd. Electronic Sadan NO-111 Unit No15, M.I.D.C BHOSARI,PUNE-411026 Tel : +91-20-712-2807
		Australia	Mitsubishi Electric Australia Pty. Ltd. 348 Victoria Road, PostalBag, No 2, Rydalmere, N.S.W 2116, Australia Tel : +61-2-9684-7777

### MITSUBISHI ELECTRIC CORPORATION

HEAD OFFICE: 1-8-12, OFFICE TOWER 2 14F MARUMI CHO-KU 104-6212, JAPAN  
NAGOYA WORKS: 1-16, YADA-MINAMI 5-CHOME, HIGASHI-KU, NAGOYA, JAPAN

When exported from Japan, this manual does not require application to the Ministry of Economy, Trade and Industry for service transaction permission.

Specifications subject to change without notice.  
Printed in Japan on recycled paper.