

# MITSUBISHI

---

# QA65B/QA68B

# Extension Base Unit

---

## User's Manual

Thank you for buying the Mitsubishi general-purpose programmable logic controller MELSEC-Q Series

Prior to use, please read both this manual and detailed manual thoroughly and familiarize yourself with the product.

**MELSEC-Q**  
Mitsubishi Programmable  
Logic Controller

|                           |           |
|---------------------------|-----------|
| MODEL                     | QA65B-U-E |
| MODEL<br>CODE             | 13JR26    |
| IB(NA)-0800158-B(0605)MEE |           |

# 1. Overview

## 1.1 Overview

This User's Manual describes the specifications, configuration devices, names and settings of each part, and mounting and installation of the QA65B extension base unit, QA68B extension base unit (hereinafter, QA6□B).

Refer to the QCPU (Q Mode) User's Manual (Hardware Section) IB-0800061 enclosed with the main base unit for the matters not described in this manual, such as the QA6□B safety precautions and general specifications.

## 1.2 Supplied parts

The parts enclosed with this module are listed below.

| Product             | Type  | Quantity |
|---------------------|-------|----------|
| Extension base unit | QA6□B | 1        |
| I/O number seal     | -     | 1        |
| This manual         | -     | 1        |

## 2. System Configuration

### 2.1 System configuration

The system configuration and precautions for using the QA6□B extension base unit are described in this section.

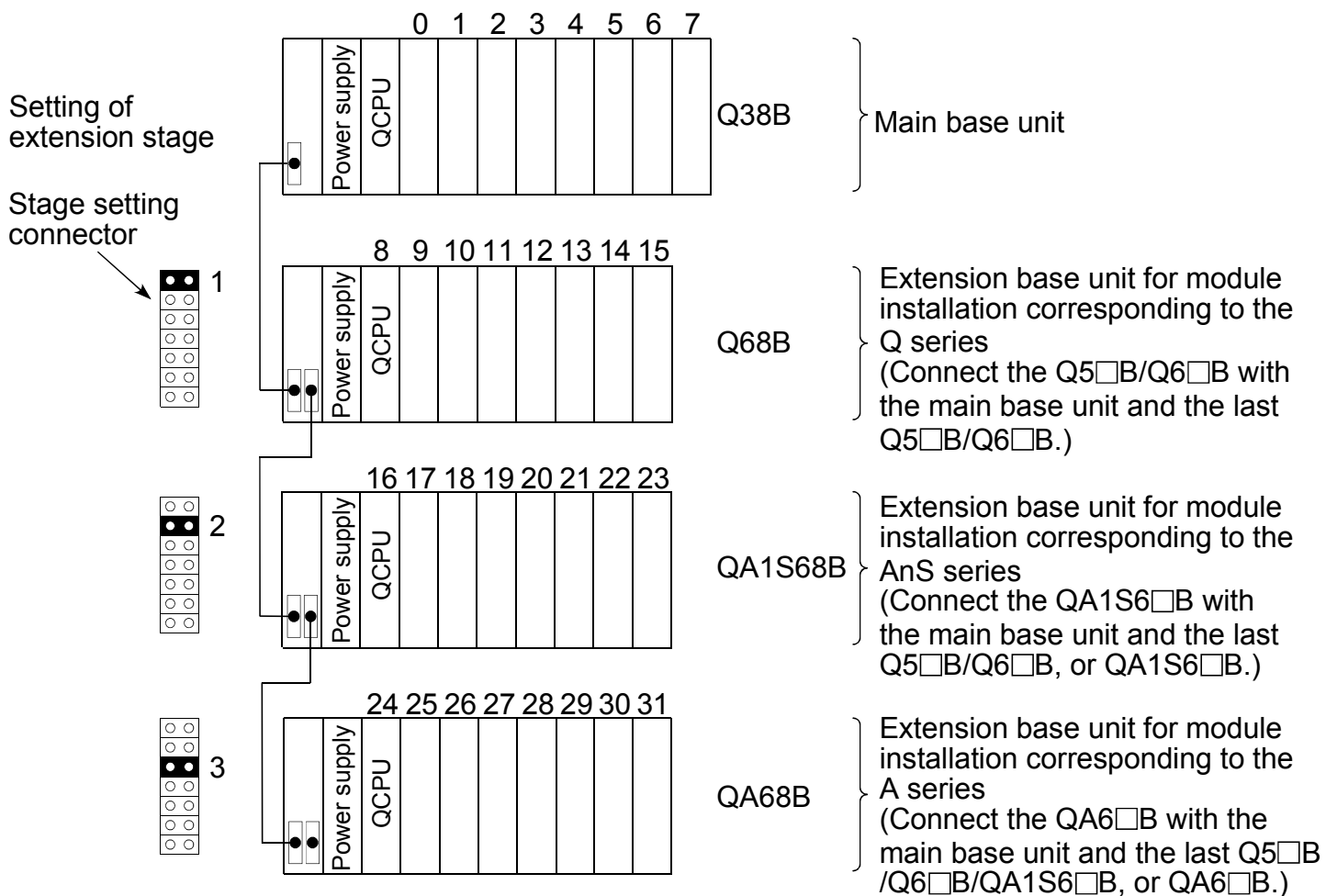
(1) Extension base unit connection order

When using the Q5□B/Q6□B, QA1S6□B and QA6□B together, connect from the unit closest to the main base unit in the order of Q5□B/Q6□B, QA1S6□B and QA6□B.

(2) Setting order of the expansion stage numbers for expansion base units

Expansion base units require the setting of the expansion stage numbers (1 to 7) using the stage setting connector.

Assign the expansion stage numbers starting from 1 to 7 to the expansion base units counting from the one which is connected to the main base unit.



## 2.2 List of configuration devices

The following shows the applicable types for configurations of the QA6□B.

| Module                                | Type  |  |  |   | Remarks |
|---------------------------------------|---|--|--|---|---------|
| Power module                          | A61P,<br>A61PEU,  | A62P,<br>A62PEU  | A63P,  | A68P  |         |
| Input module                          | AX10,<br>AX21,<br>AX40,<br>AX42-S1,<br>AX71,<br>AX81-S1,<br>AX82                    | AX11,<br>AX21EU,<br>AX41,<br>AX50-S1,<br>AX80,<br>AX81-S2,                     | AX11EU,<br>AX31,<br>AX41-S1,<br>AX60-S1,<br>AX80E,<br>AX81-S3,                 | AX20<br>AX31-S1<br>AX42<br>AX70<br>AX81<br>AX81B                    |         |
| Output module                         | AY10,<br>AY11E,<br>AY13E,<br>AY23,<br>AY42,<br>AY42-S4,<br>AY60,<br>AY71,<br>AY82EP | AY10A,<br>AY11AEU,<br>AY13EU,<br>AY40,<br>AY42-S1,<br>AY50,<br>AY60S,<br>AY72, | AY11,<br>AY11EEU,<br>AY15EU,<br>AY40A,<br>AY42-S2,<br>AY51,<br>AY60E,<br>AY80, | AY11A<br>AY13<br>AY22<br>AY41<br>AY42-S3<br>AY51-S1<br>AY70<br>AY81 |         |
| I/O module                            | A42XY,  | AH42   |  |   |         |
| High-speed counter module             | AD61,   | AD61S1   |  |   | *1      |
| Analog-digital conversion module      | A68AD,  | A68AD-S2,  | A68ADN,  | A616AD  |         |
| Digital-analog conversion module      | A62DA,<br>A616DAV,  | A62DA-S1,<br>A616DAI   | A68DAV,  | A68DAI-S1   |         |
| Temperature-digital conversion module | A68RD3,<br>A60MXR,  | A68RD4,<br>A60MXT  | A616TD,  | A60MX   |         |
| Interrupt module                      | AI61,   | AI61-S1  |  |   | *2      |
| Positioning module                    | AD70,   | AD72   |  |   |         |
|                                       | AD75P1-S3,<br>AD75M1,   | AD75P2-S3,<br>AD75M2,  | AD75P3-S3<br>AD75M3  |   | *1      |
| MELSECNET/MINI-S3 master module       | AJ71PT32-S3, AJ71T32-S3   |  |  |   | *1      |

| Module                           | Type               | Remarks |
|----------------------------------|--------------------|---------|
| Intelligent communication module | AD51-S3, AD51H-S3  | *2      |
| PC fault detection module        | AS91               |         |
| MELSEC-I/OLINK module            | AJ51T64            |         |
| B/NET module                     | AJ71B62-S3         |         |
| Blanking module                  | AG60               |         |
| Dummy module                     | AG62               |         |
| A-A1S conversion adapter         | A1ADP-XY, A1ADP-SP | *3      |

\*1: The dedicated commands used in the QnA and A Series program cannot be used with the Q mode CPU.

Replace these with FROM/TO commands.

\*2: There is a limit to the number of mountable modules.

| Module                           | Type           | number of mountable |
|----------------------------------|----------------|---------------------|
| Intelligent communication module | AD51, AD51H-S3 | 6 *4                |
| Interrupt module                 | AI61, AI61-S1  | 1 *5                |

\*3: For units to be installed, refer to the A-A1S conversion adapter manual.

\*4: In combined use of the QA1S6□B and QA6□B, up to 6 intelligent communication modules can be installed.

\*5: Only one interrupt module is valid which can be chosen from QI60, A1SI61, AI61 or AI61-S1.

## 3. Specifications

### 3.1 Specifications

The QA6□B performance specifications are given below.

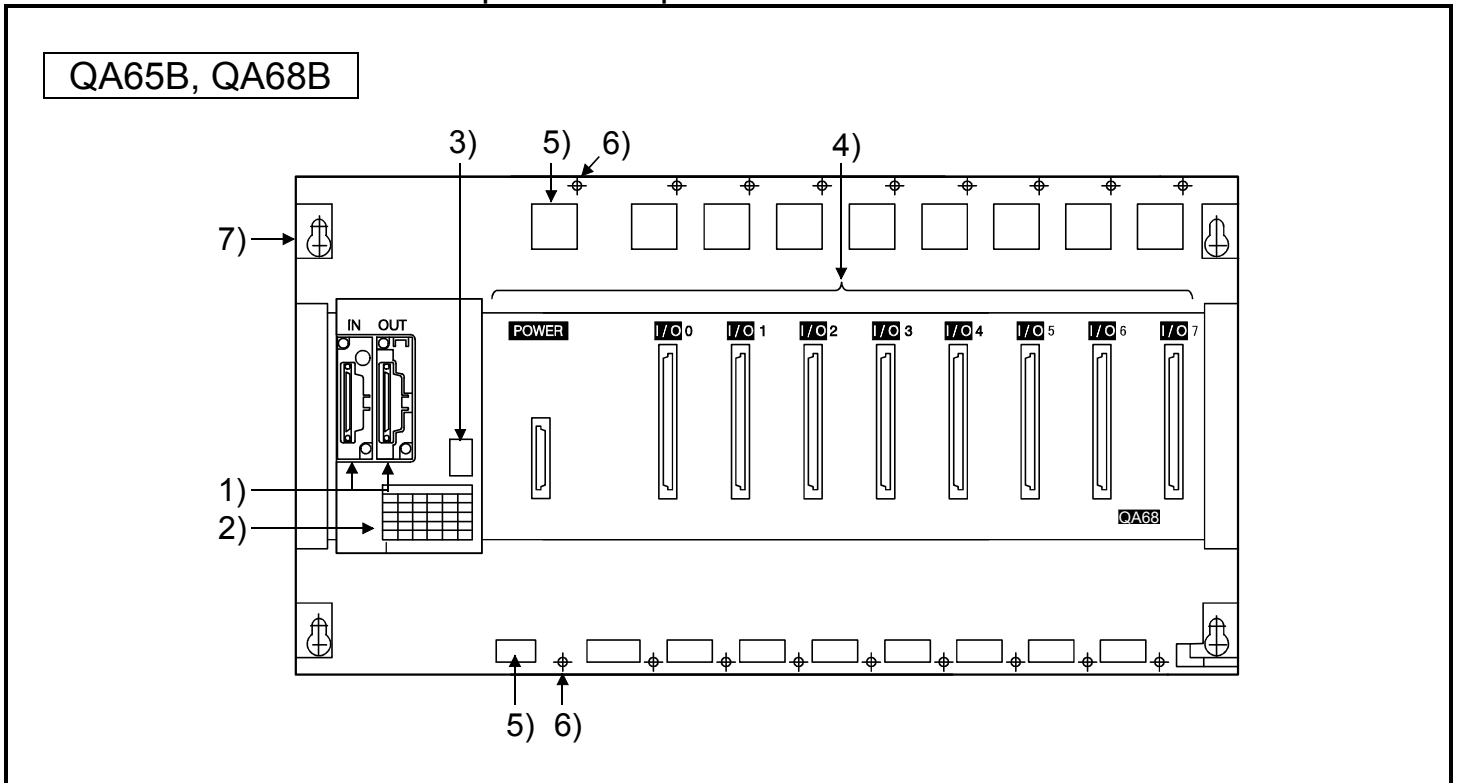
| Item                                  | Type | QA65B           | QA68B |
|---------------------------------------|------|-----------------|-------|
| Number of I/O modules connected       |      | 5               | 8     |
| Applicable modules                    |      | A series module |       |
| 5VDC internal current consumption (A) |      | 0.117           | 0.117 |
| Weight (kg)                           |      | 1.60            | 2.00  |

## 4.Names and setting of parts

The names of and settings for each QA6□B part are explained in this section.

### 4.1 Names of parts

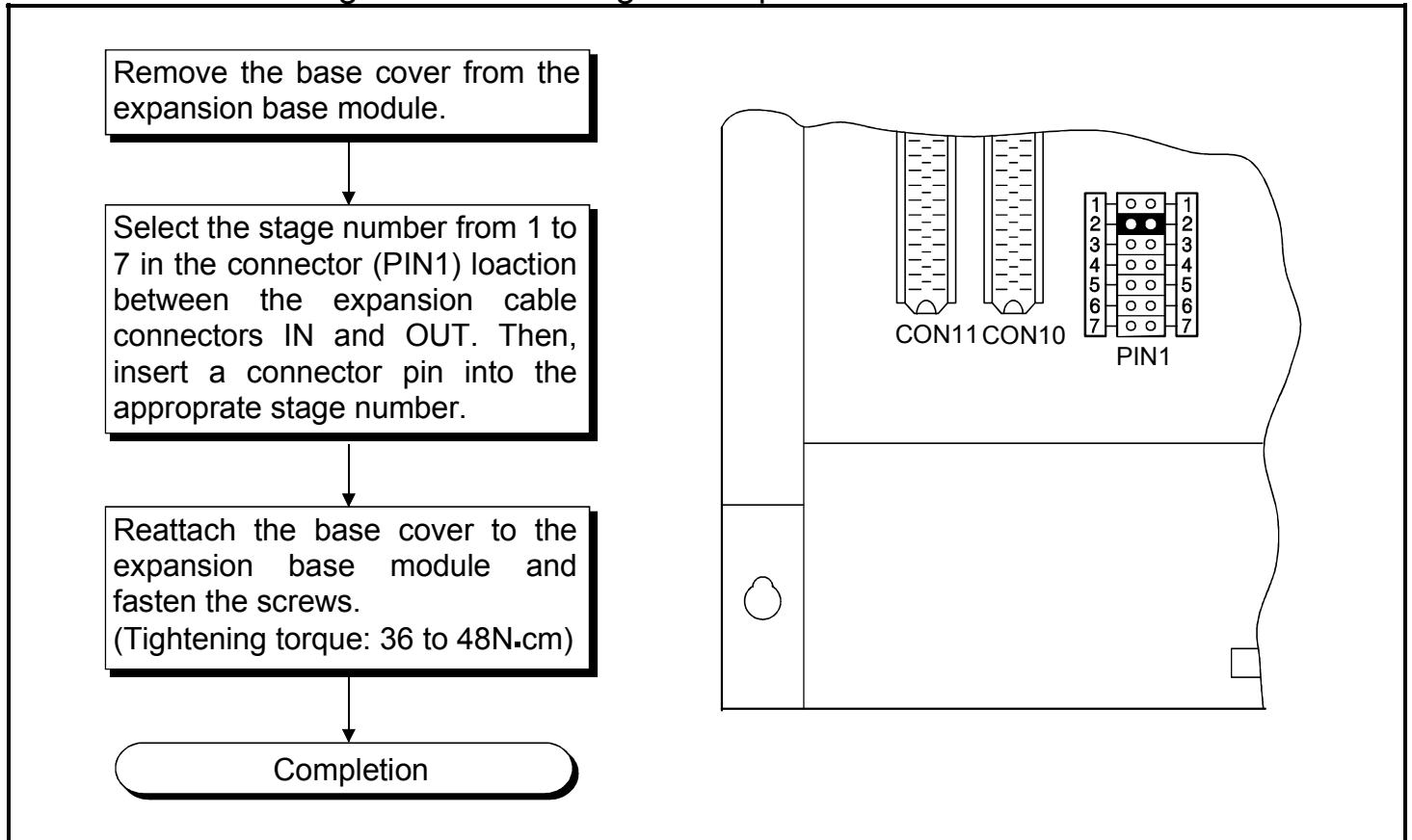
The names of each QA6□B part are explained below.



| No. | Name                             | Usage   |
|-----|----------------------------------|---|
| 1)  | Expansion cable connector        | A connector for signal transmission with the basic base module or the other expansion base module. Connects the expansion cable. Do not remove the supplied connector cover.  |
| 2)  | Base cover                       | PCB surface protection cover.   |
| 3)  | Stage number setting connector   | A used to set the stage numbers of the expansion base modules. Refer to section 4.2 for the setting procedure.  |
| 4)  | Module connector                 | Connector for mounting power supply unit, input/output unit and special function module.<br>Mount the dustproof connector cover, blank cover unit (AG60) or dummy unit (AG62) on the connector in the spare spaces with module connected. |
| 5)  | Module fixing hole               | Cut out to accept projection and hook at rear of modules.   |
| 6)  | Screw hole for fastening modules | A screw hole used for fastening a module to the base. (M4 screw)  |
| 7)  | Base module installation hole    | A hole used for mounting the base module to a panel such as a control panel.  |

## 4.2 Setting the expansion stage numbers

The method of setting the QA6□B stages is explained below.



Stage number setting for expansion base modules

|   | Stage number setting |           |           |           |           |           |           |
|---|----------------------|-----------|-----------|-----------|-----------|-----------|-----------|
|   | 1th stage            | 2th stage | 3th stage | 4th stage | 5th stage | 6th stage | 7th stage |
| Position of connector pin in stage number setting connector | <br>PIN1             | <br>PIN1  | <br>PIN1  | <br>PIN1  | <br>PIN1  | <br>PIN1  | <br>PIN1  |

### Point

- (1) To set the stage number setting connector, select the appropriate number from 1 through 7 in ascending order according to the number of expansion modules.
- (2) Do not assign the same stage number to several modules or skip any stage numbers. Otherwise, improper I/O operation results.
- (3) The expansion stage number is factory-set to 1.



## 5. Loading and Installation

### 5.1 Module Installation

This section describes the precautions to handle the CPU, I/O, special function, power supply, and base module.

- (1) Do not drop or apply a strong impact to the module housing, memory card, terminal block connectors, and pin connectors.
- (2) Do not remove the PC board of the modules from housing. Otherwise, malfunctions may result.
- (3) When using the expansion base module QA6□B, be sure to install the power supply module.

Although the module may work without the power supply module under light load, stable operation is not guaranteed.

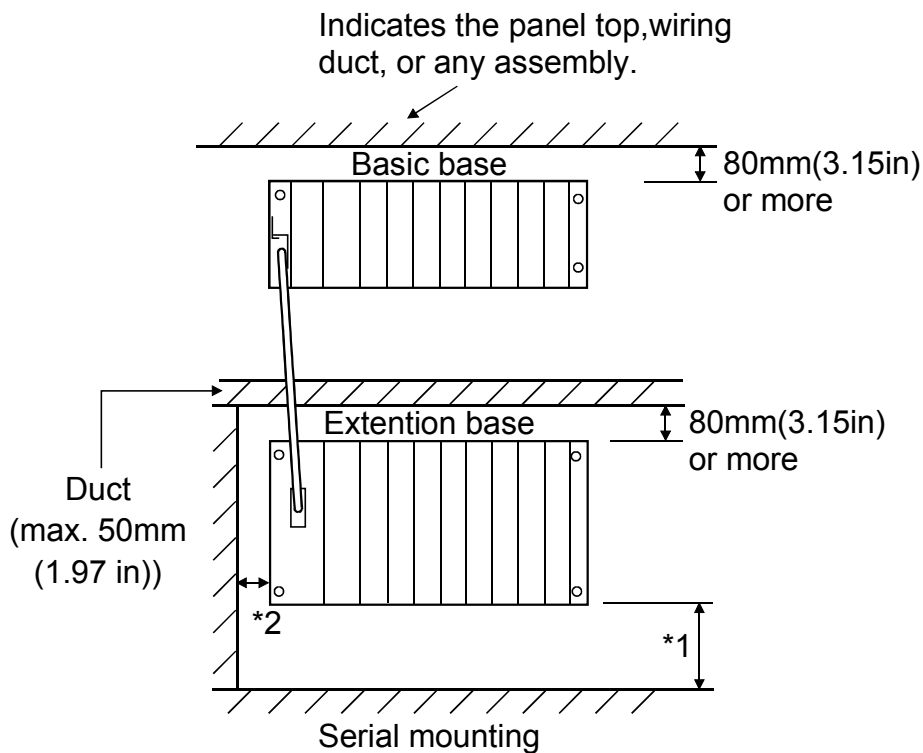
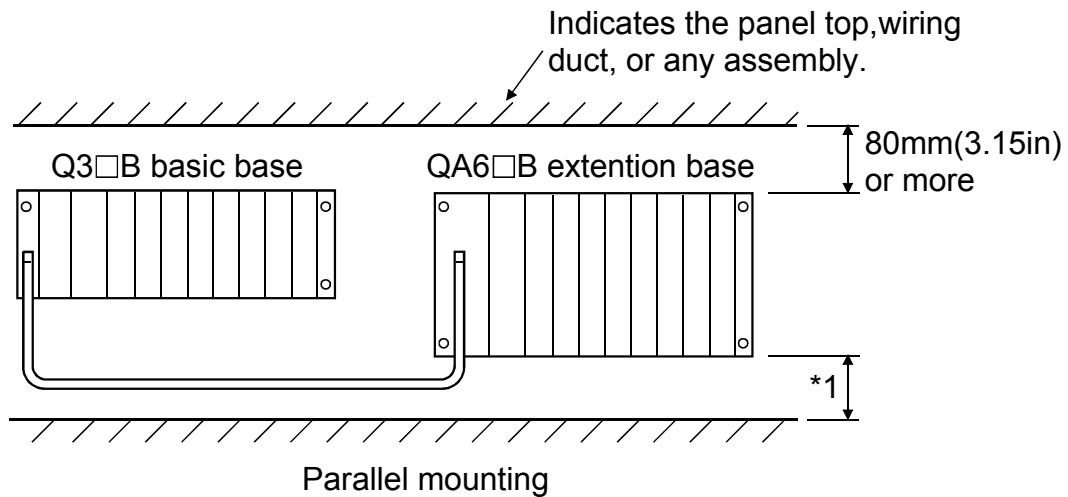
- (4) Limit the tightening torque for the module installation screws and terminal block screws within the following range:

| Location of screw                                 | Tightening torque range |
|---|-------------------------|
| I/O module terminal block installation screw (M3) | 36 to 48N•cm            |
| A series module installation screw (M4)           | 78 to 118N•cm           |
| I/O module terminal screw (M4)                    |                         |
| Power supply module terminal screw (M4)           | 98 to 137N•cm           |

- (5) When using the expansion cable, do not bind it with or place it close to the main circuit (high-voltage, large-current) lines.

## 5.2 Precautions for installing base unit

### (1) Unit installation position



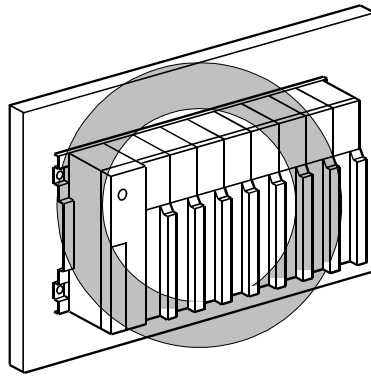
\*1:

|  |               |
|--|---------------|
| When link module is not used                       | 50mm or more  |
| When using $\phi 4.5\text{mm}$ optical fiber cable | 100mm or more |
| When using a coaxial cable                         |               |
| When using $\phi 8.5\text{mm}$ optical fiber cable | 130mm or more |

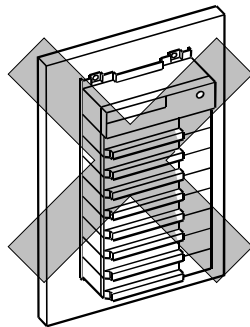
\*2: 20mm or more when connecting extension cable without removing adjacent modules.

(2) Module installing position

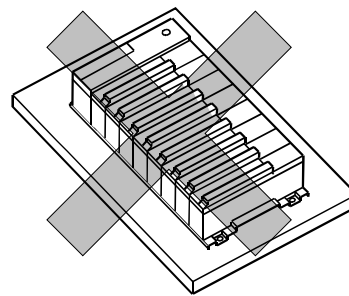
(a) Install the PC in the following position to ensure ventilation for heat radiation.



(b) Do not install the PC in the following positions.



Vertical position



Horizontal position

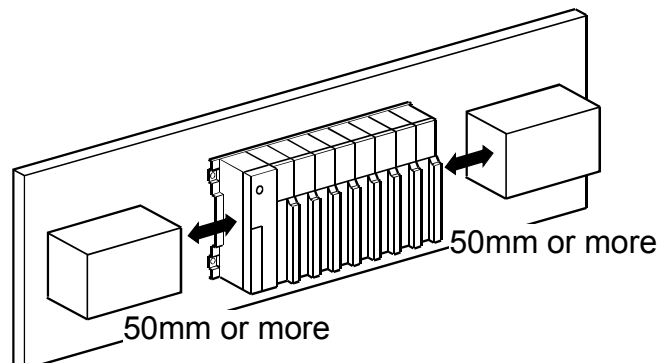
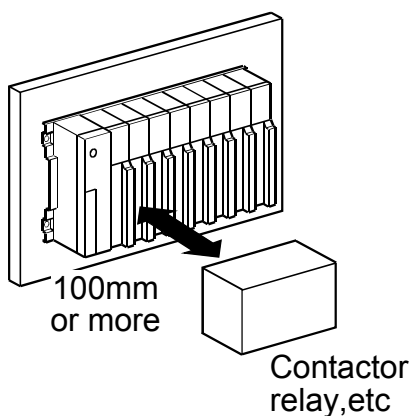
(3) Install the base module on a flat surface.

When the base module is installed on an uneven surface, the PC board may be strained, resulting in malfunction.

(4) Do not install the PC close to a vibration source such as a large electromagnetic contactor or no-fuse breaker. Install the PC to the separate panel or isolate it as far as possible.

(5) Provide the following distances between the PC and devices (contactor or relay) to avoid the influence of radiation noise or heat.

- Device installed in front of the PC: 100mm or more
- Device installed on either side of the PC: 50mm or more



### 5.3 Installation and removal of modules

This section explains the installation and removal procedures of the power supply module, CPU module, I/O module, special function module, etc to and from the base unit.

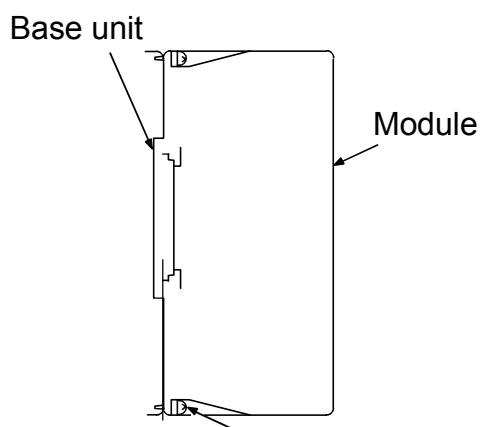
#### (1) Installation of module

Insert the two module fixing projections (two) into the module fixing hole (B) in the base unit.

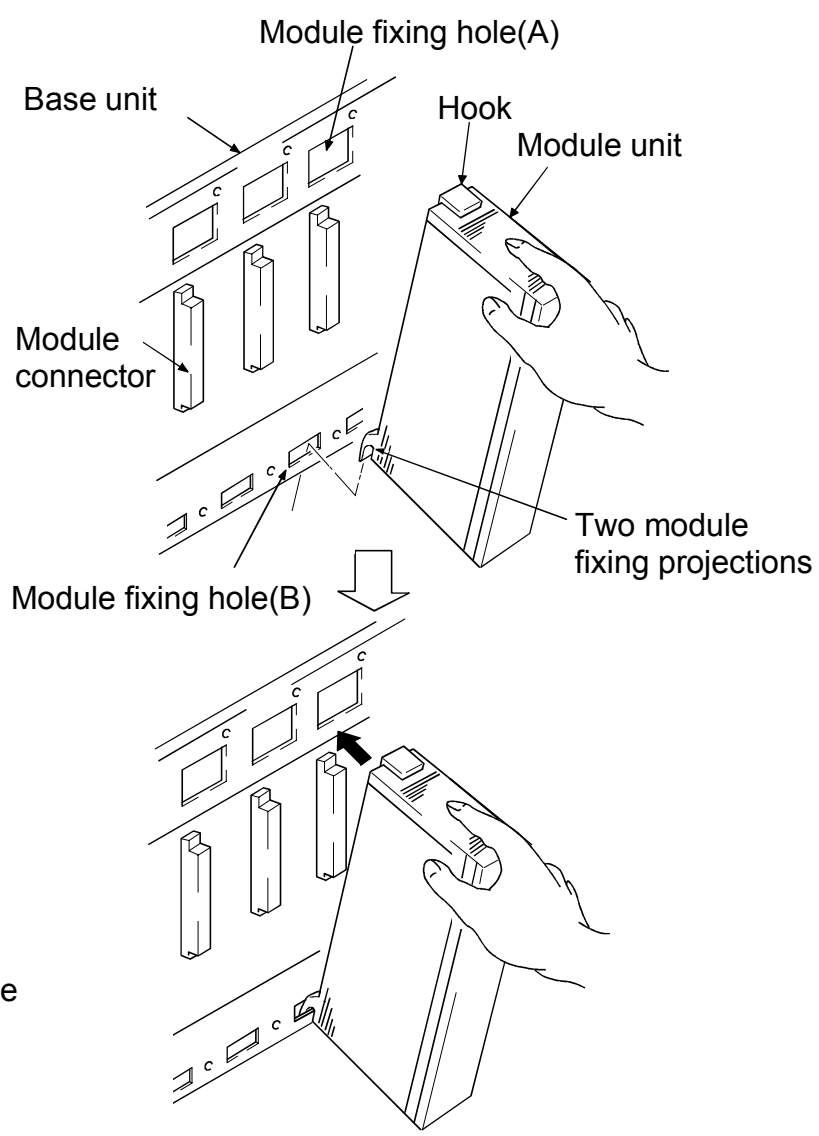
Load the module into the base unit by pushing it in the direction of arrow.

Check if the hook of module is securely inserted in the module fixing hole (A) in the base unit.

Completed

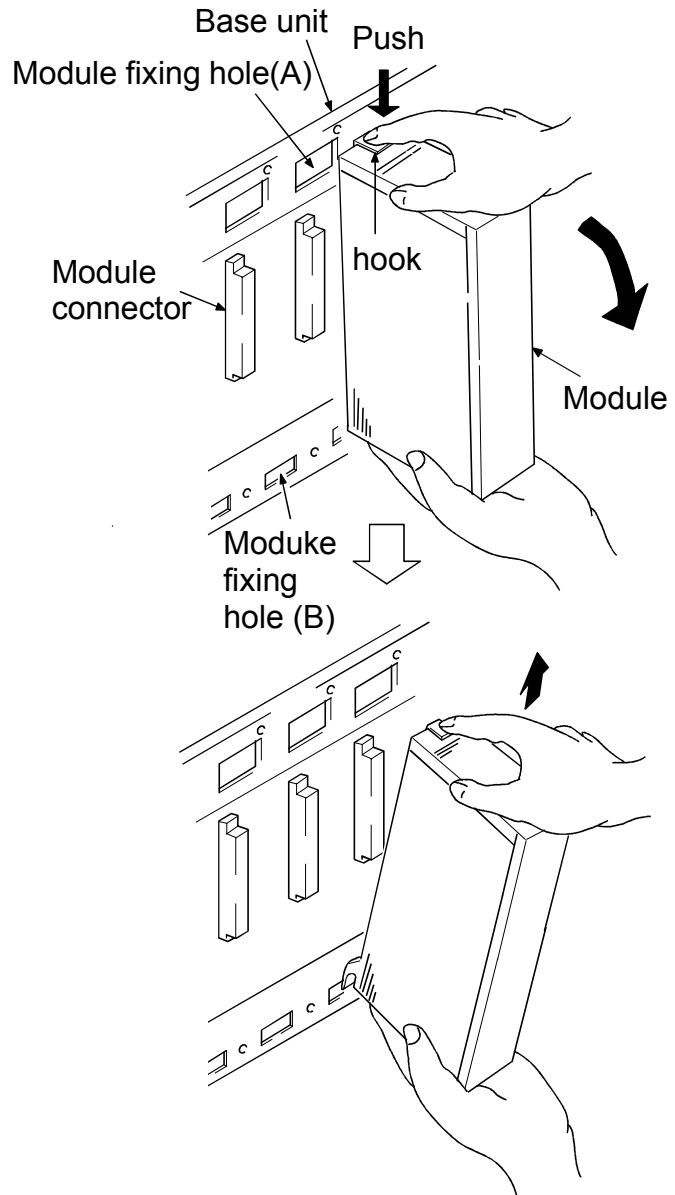
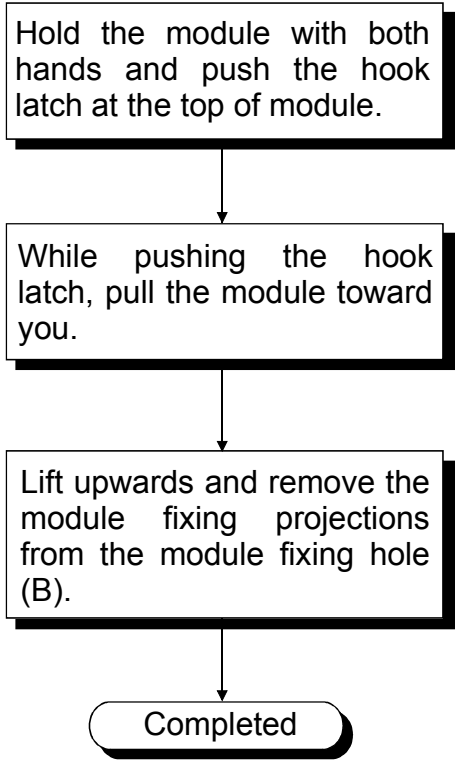


Module mounting screw  
(M4(0.16)×0.7(0.03)×12(0.47))



| Points   |
|--|
| (1) To fix the module, be sure to insert the module fixing projection into the module fixing hole (B). If the module is forcibly fixed without insertion, the pins in the module connector may be bent or damaged. |
| (2) When the base unit is used at locations where there are especially large vibration and/or shock, screw the module to the base.   |

## (2) Removal of module



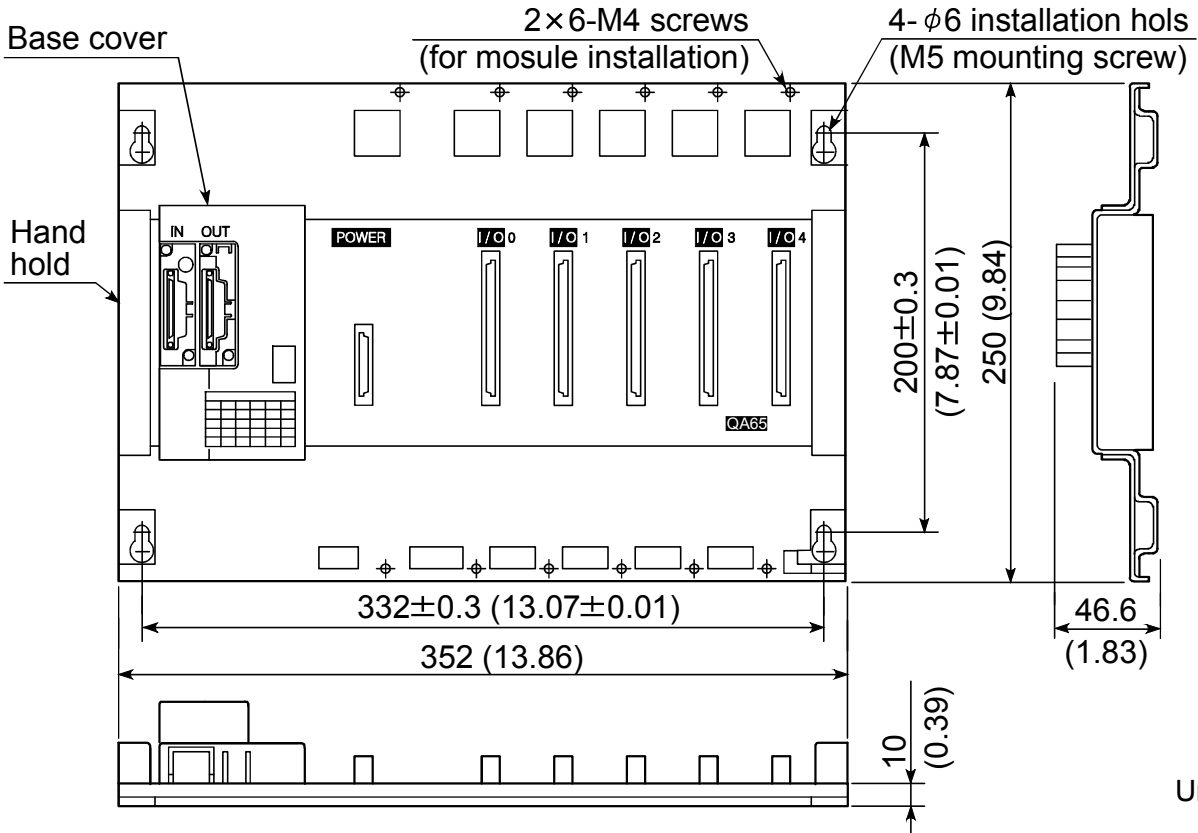
### Points

To remove the module, be sure to disengage the hook from the module fixing hole (A) and then remove the module fixing projections from the module fixing hole (B). If the module is forcibly removed, the hook or module fixing projections will be damaged.

# Appendices

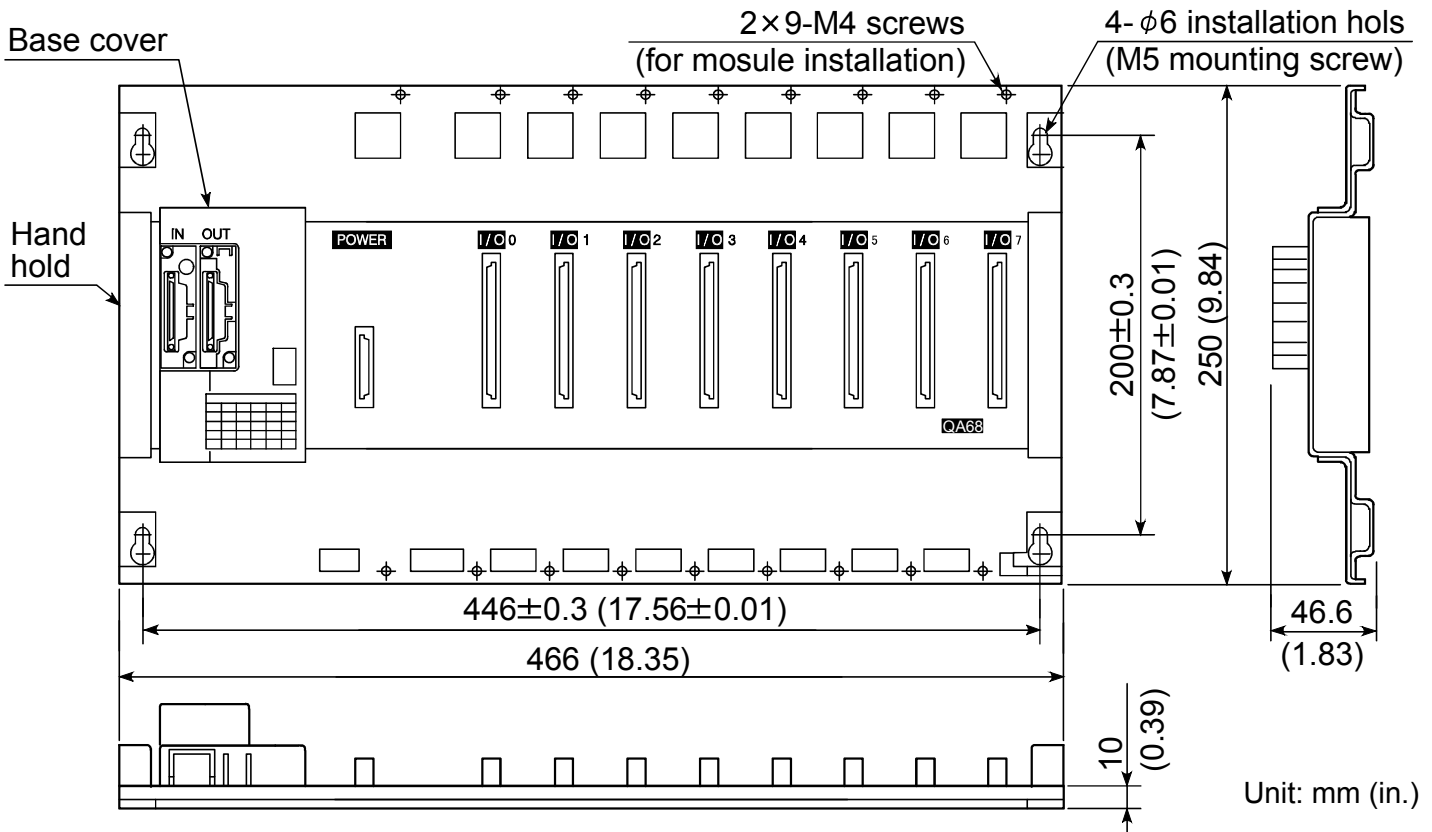
## Appendices 1 External Dimension Diagram

The external dimensions of the QA6□B are shown below.



Unit: mm (in.)

The external dimensions of the QA65B



Unit: mm (in.)

The external dimensions of the QA68B



## Warranty

Mitsubishi will not be held liable for damage caused by factors found not to be the cause of Mitsubishi; machine damage or lost profits caused by faults in the Mitsubishi products; damage, secondary damage, accident compensation caused by special factors unpredictable by Mitsubishi; damages to products other than Mitsubishi products; and to other duties.

### ⚠ For safe use

- This product has been manufactured as a general-purpose part for general industries, and has not been designed or manufactured to be incorporated in a device or system used in purposes related to human life.
- Before using the product for special purposes such as nuclear power, electric power, aerospace, medicine or passenger movement vehicles, consult with Mitsubishi.
- This product has been manufactured under strict quality control. However, when installing the product where major accidents or losses could occur if the product fails, install appropriate backup or failsafe functions in the system.

| Country/Region | Sales office/Tel  | Country/Region | Sales office/Tel   |
|----------------|---|----------------|--|
| U.S.A          | Mitsubishi Electric Automation Inc.<br>500 Corporate Woods Parkway Vernon Hills, IL 60061<br>Tel : +1-847-478-2100  | Hong Kong      | Ryoden Automation Ltd.<br>10th Floor, Manulife Tower, 169 Electric Road, North Point, HongKong<br>Tel : +852-2887-8870   |
| Brazil         | MELCO-TEC Rep. Com.e Assessoria Tecnica Ltda.<br>Rua Correia Dias, 184,<br>Edificio Paraiso Trade Center-8 andar<br>Paraiso, Sao Paulo, SP Brazil<br>Tel : +55-11-5908-8331 | China          | Ryoden Automation Shanghai Ltd.<br>3F Block5 Building Automation Instrumentation Plaza 103 Cao Bao Rd. Shanghai 200233 China<br>Tel : +86-21-6120-0808                 |
| Germany        | Mitsubishi Electric Europe B.V. German Branch<br>Gothaer Strasse 8 D-40880 Ratingen, GERMANY<br>Tel : +49-2102-486-0  | Taiwan         | Setsuyo Enterprise Co., Ltd.<br>6F., No.105 Wu-Kung 3rd.RD, Wu-Ku Hsiang, Taipei Hsine, Taiwan<br>Tel : +886-2-2299-2499   |
| U.K            | Mitsubishi Electric Europe B.V. UK Branch<br>Travellers Lane, Hatfield, Herts., AL10 8XB,UK<br>Tel : +44-1707-276100  | Korea          | HAN NEUNG TECHNO CO.,LTD.<br>1F Dong Seo Game Channel Bldg., 660-11, Deungchon-dong Kangsec-ku, Seoul, Korea<br>Tel : +82-2-3660-9552                                  |
| Italy          | Mitsubishi Electric Europe B.V. Italian Branch<br>Centro Dir. Colleoni, Pal. Perseo-Ingr.2 Via Paracelso 12, 20041 Agrate B., Milano, Italy<br>Tel : +39-039-6053344        | Singapore      | Mitsubishi Electric Asia Pte, Ltd.<br>307 Alexandra Road #05-01/02, Mitsubishi Electric Building Singapore 159943<br>Tel : +65-6473-2308                               |
| Spain          | Mitsubishi Electric Europe B.V. Spanish Branch<br>Carretera de Rubi 76-80<br>08190 Sant Cugat del Valles, Barcelona, Spain<br>Tel : +34-93-565-3131                         | Thailand       | F. A. Tech Co.,Ltd.<br>898/28,29,30 S.V.City Building,Office Tower 2,Floor 17-18 Rama 3 Road, Bangkpongpang, Yannawa, Bangkok 10120<br>Tel : +66-2-682-6522            |
| France         | Mitsubishi Electric Europe B.V. French Branch<br>25 Boulevard des Bouvets, F-92741 Nanterre Cedex, France<br>TEL: +33-1-5568-5568   | Indonesia      | P.T. Autoteknindo SUMBER MAKMUR<br>Jl. Muara Karang Selatan Block a Utara No.1 Kav. No.11 Kawasan Industri/ Pergudangan Jakarta - Utara 14440<br>Tel : +62-21-663-0833 |
| South Africa   | Circuit Breaker Industries LTD.<br>Tripswitch Drive, Elandsfontein Gauteng, South Africa<br>Tel : +27-11-928-2000   | India          | Messung Systems Put,Ltd.<br>Electronic Sadan NO:111 Unit No15, M.I.D.C BHOSARI,PUNE-411026, India<br>Tel : +91-20-712-2807   |
|                |   | Australia      | Mitsubishi Electric Australia Pty. Ltd.<br>348 Victoria Road, PostalBag, No 2, Rydalmere, N.S.W 2116, Australia<br>Tel : +61-2-9684-7777                               |

## MITSUBISHI ELECTRIC CORPORATION

HEAD OFFICE : TOKYO BUILDING, 2-7-3 MARUNOUCHI, CHIYODA-KU, TOKYO 100-8310, JAPAN  
NAGOYA WORKS : 1-14, YADA-MINAMI 5-CHOME, HIGASHI-KU, NAGOYA, JAPAN

When exported from Japan, this manual does not require application to the Ministry of Economy, Trade and Industry for service transaction permission.

Specifications subject to change without notice.  
Printed in Japan on recycled paper.