

Instruction Installation Manual for Power Supply Units

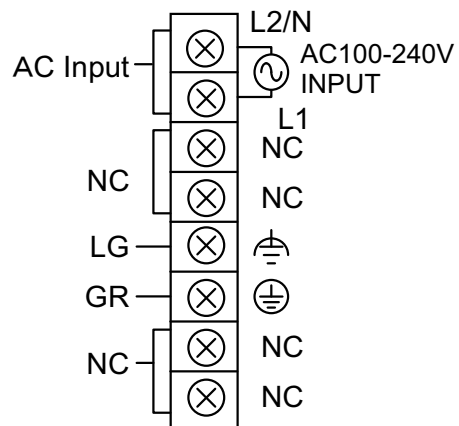
©OMRON Corporation 2010 All Rights Reserved.

2113620-9A

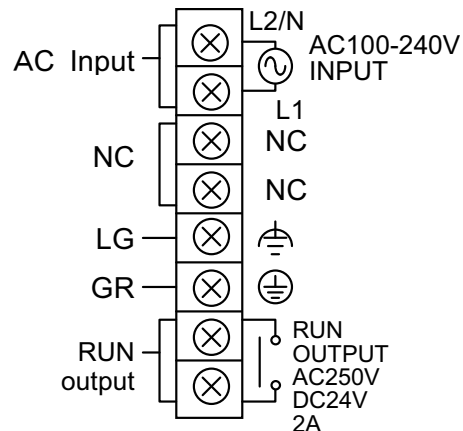
C200HW-PA204 / C200HW-PA204R Terminals

Terminal Arrangement

C200HW-PA204



C200HW-PA204R



Precautions for Compliance with UL Standards and CSA Standards

Notice to Users of the SYSMAC CS/C series Power Supply Units in the USA and Canada

Please use the following installation information instead of the general information in the instruction manuals in order to use the product under certified conditions of UL and CSA when the product is installed in the USA or Canada. These conditions are required by NFPA 70, National Electrical Code in the USA and the Canadian Electrical Code, Part I in Canada and may vary from information given in the product manuals or safety precautions.

■ Wiring for the Field Wiring Terminals

- Do not use crimp terminals for field wiring.
- Do not insert more than one wire in one terminal.
- Tightening torque of the terminals : 7 Lb•In. (0.8 N•m)
- Wire range : AWG 22 to 14

■ Environment

surrounding air temperature: 40 °C