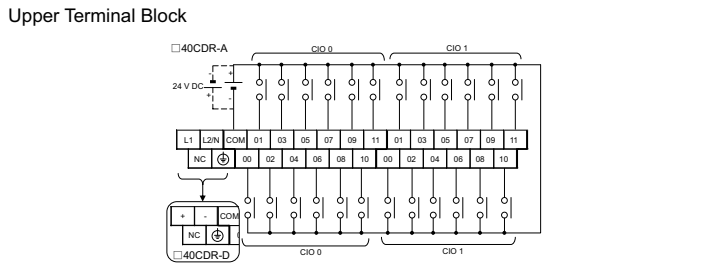
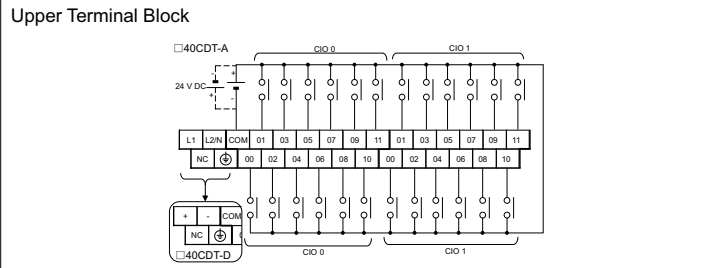


I/O Wiring Diagram

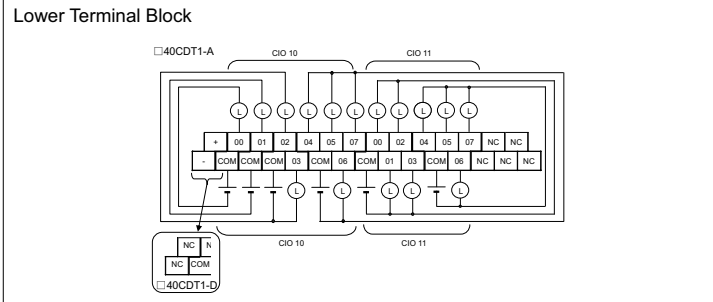
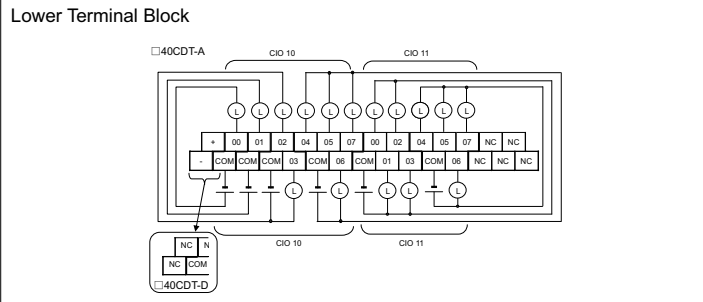
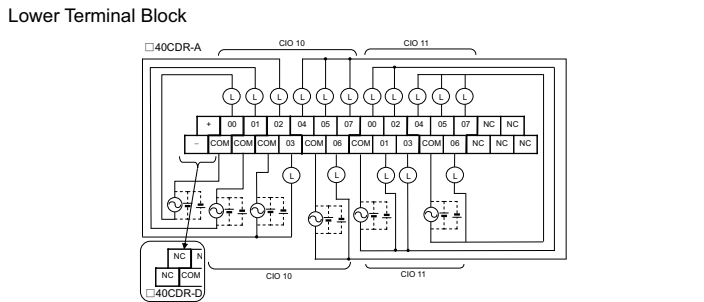
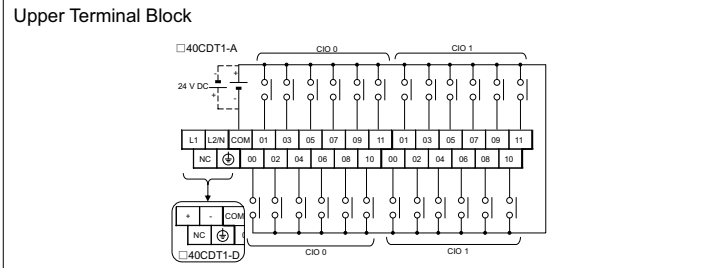
CPM1A-40CDR-□(-V1)
 24-V DC Input (24 Points)
 Relay Output (16 Points)



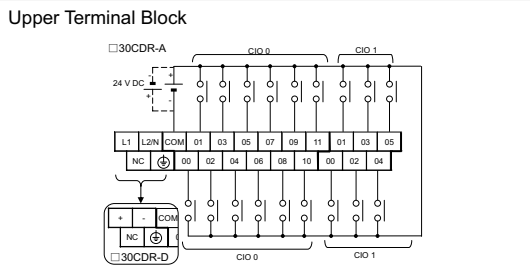
CPM1A-40CDT-□(-V1)
 24-V DC Input (24 Points)
 Transistor (NPN) Output (16 Points)



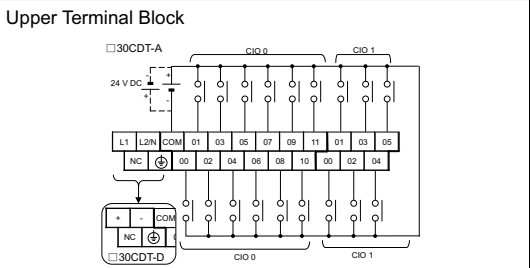
CPM1A-40CDT1-□(-V1)
 24-V DC Input (24 Points)
 Transistor (PNP) Output (16 Points)



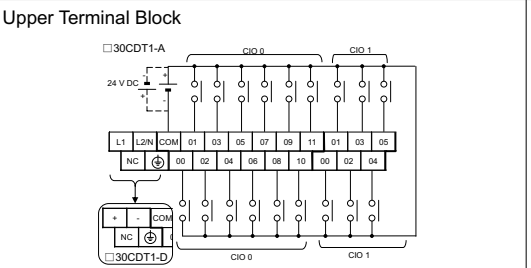
CPM1A-30CDR-□(-V1)
 24-V DC Input (18 Points)
 Relay Output (12 Points)



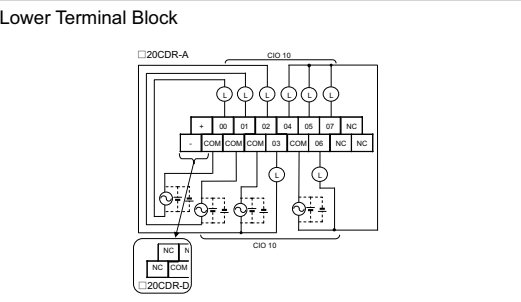
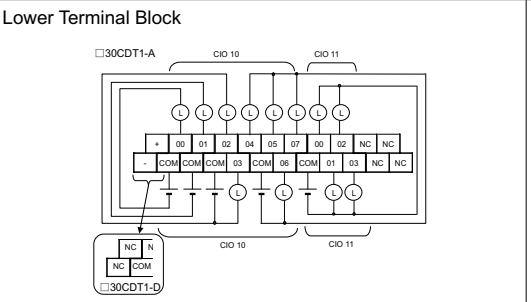
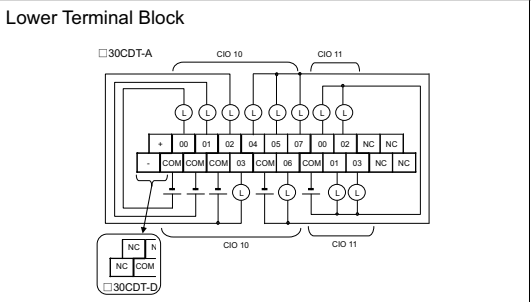
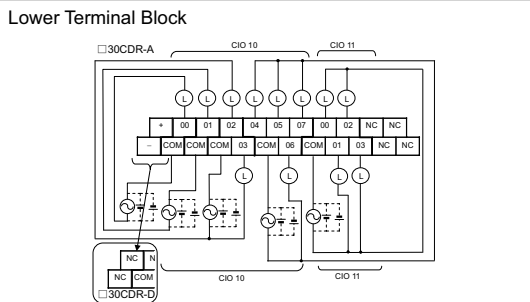
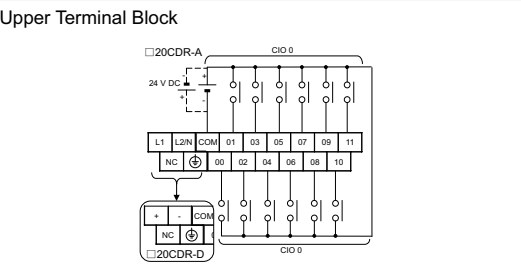
CPM1A-30CDT-□(-V1)
 24-V DC Input (18 Points)
 Transistor (NPN) Output (12 Points)

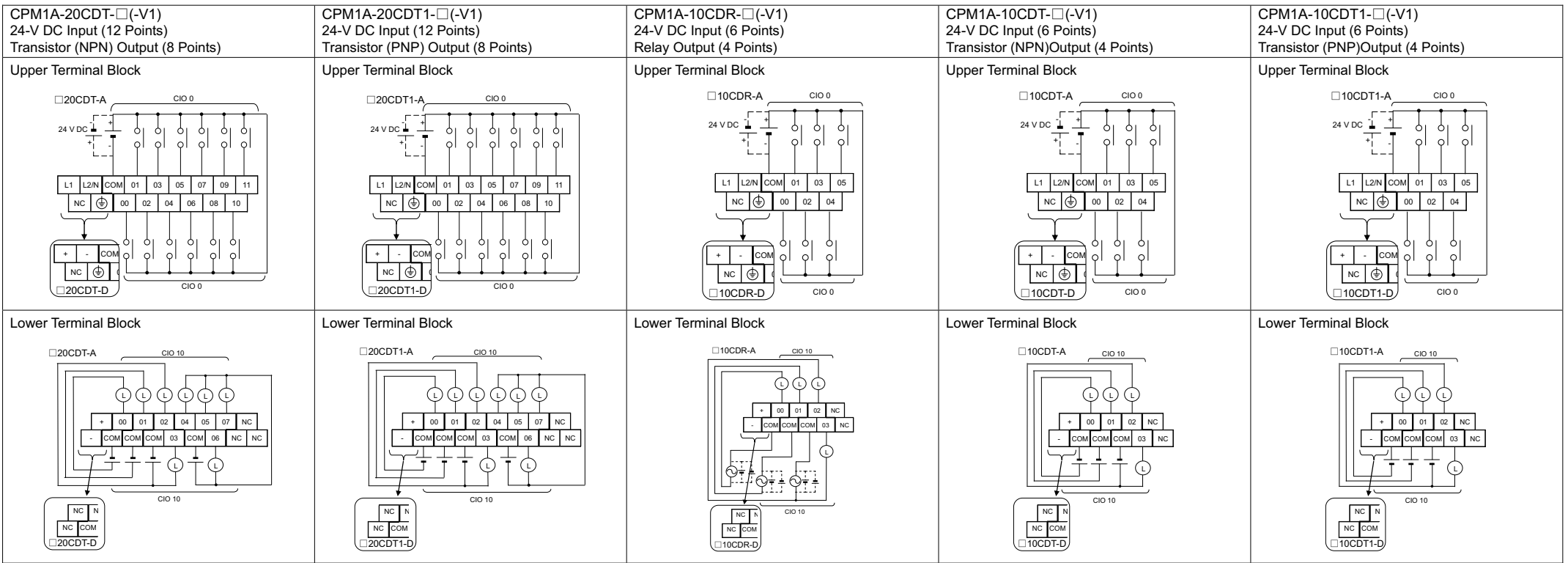


CPM1A-30CDT1-□(-V1)
 24-V DC Input (18 Points)
 Transistor (PNP) Output (12 Points)



CPM1A-20CDR-□(-V1)
 24-V DC Input (12 Points)
 Relay Output (8 Points)





Precautions for Compliance with UL Standards and CSA Standards

Notice to Users of the SYSMAC CPM1A CPU Units in the USA and Canada

Please use the following installation information instead of the general information in the instruction manuals in order to use the product under the certified conditions of UL and CSA when the products are installed in the USA or Canada. These conditions are required by NFPA 70, National Electrical Code in the USA and the Canadian Electrical Code, Part I in Canada and may vary from information given in the product manuals or safety precautions.

- Wiring
 - Do not use crimp terminals for field wiring.
 - Do not insert more than one wire in one terminal.
 - Tightening torque: 7Lb In. (0.8N·m)
 - Wire range: AWG 26 to 14
- Surrounding Air Temperature: 55°C