

CAUTION

Do not touch the terminals while power is being supplied. Do not allow pieces of metal, wire clippings, or fine metallic shavings or filings from installation to enter the product.

OMRON shall not be responsible for conformity with any standards, codes, or regulations that apply to the combination of the products in the customer's application or use of the product.

Precautions for Safe Use

- Be sure to observe the following precautions to prevent operation failure, malfunction, or adverse effects on the performance and functions of the product. Do not use the product outdoors. Do not use or store the product in any of the following locations.

Specifications

Table with 2 columns: Specification name and value. Includes Power supply voltage, Operating voltage range, Power consumption, and Ambient temperature.

EN Instruction Manual

Thank you for purchasing the OMRON E5CN-H Digital Controller. This manual describes the functions, performance, and application methods needed for optimum use of the product.

OMRON CORPORATION All Rights Reserved

For detailed operating instructions, please refer to the E5CN-H/E5AN-H/E5EN-H Digital Controllers User's Manual Advanced Type (Cat. No. H157).

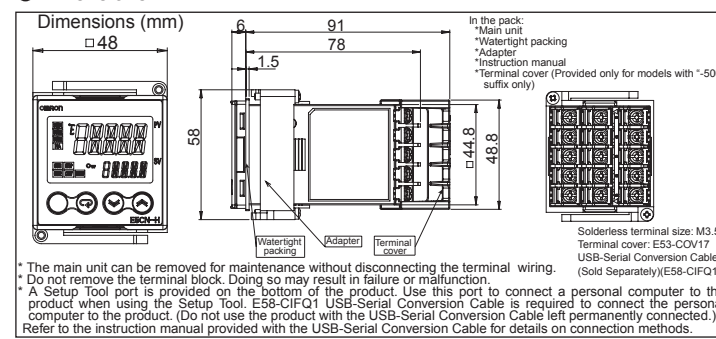
Safety Precautions

Key to Warning Symbols

Indicates a potentially hazardous situation which, if not avoided, is likely to result in minor or moderate injury or property damage.

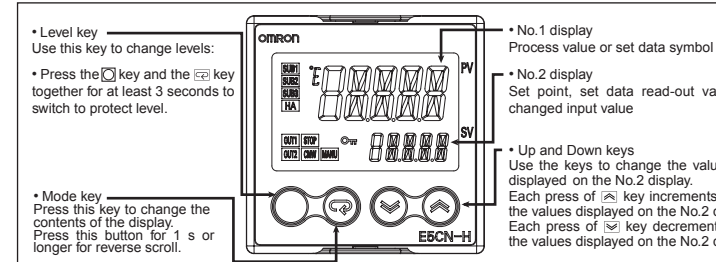
Wiring

Dimensions

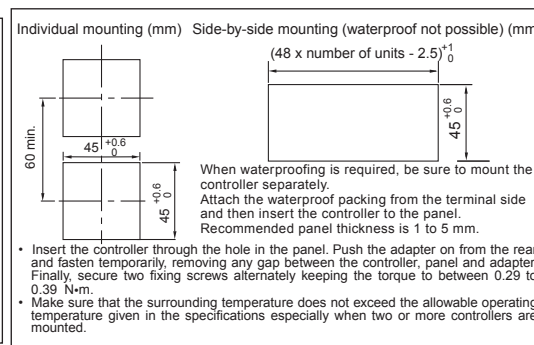


The main unit can be removed for maintenance without disconnecting the terminal wiring. Do not remove the terminal block.

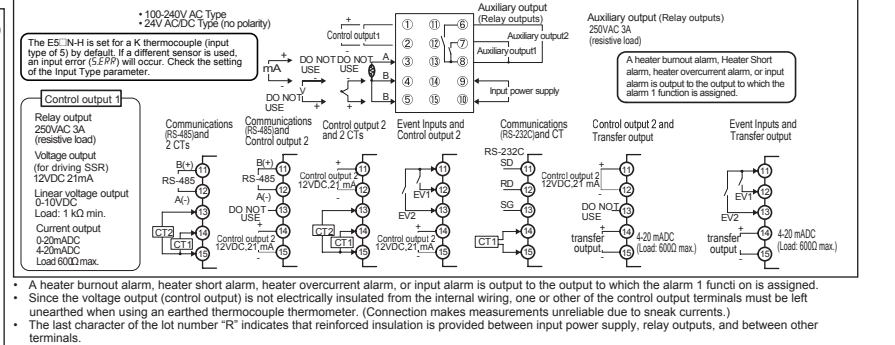
Names of parts on front panel



Installation



Connections



Operation menu

Input type

Table mapping Input type to Input Setting and Input Setting range. Includes Platinum resistance thermometer, Thermocouple, Current input, and Voltage input.

*The default is "5". *SErr will be displayed when a platinum resistance thermometer is mistakenly connected while input type is not set for it.

Alarms

Table mapping Alarm type to Alarm output function. Includes Deviation upper/lower limit, Absolute value upper/lower limit, LBA, PV change rate alarm, and RSP.

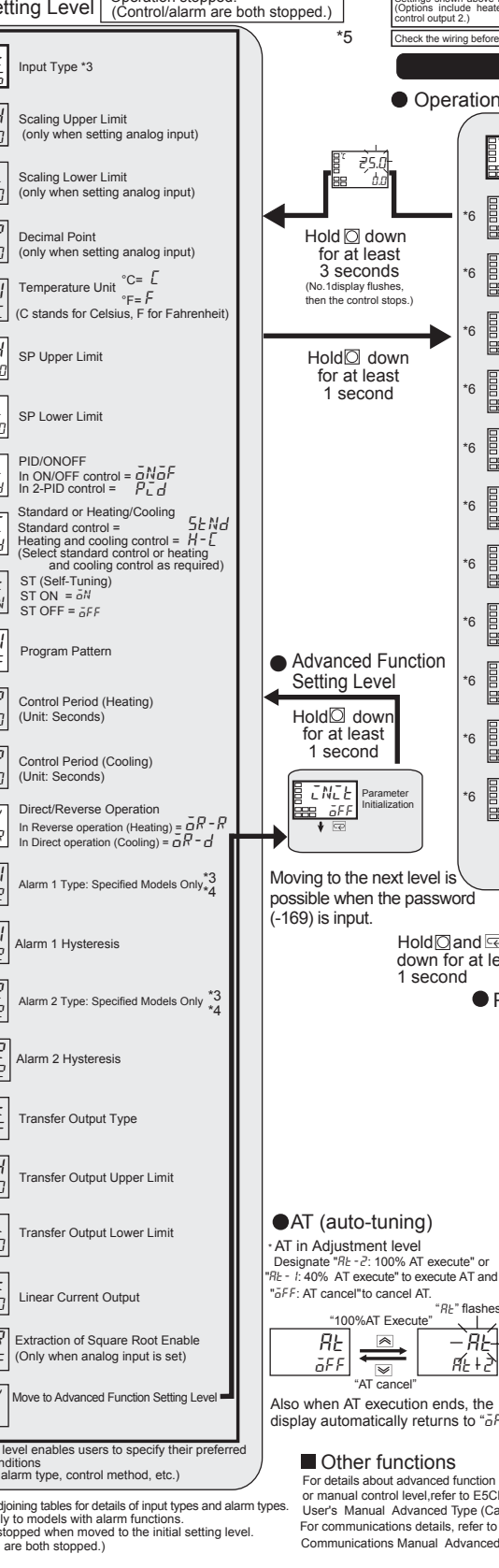
*1: Upper and lower limits can be set for parameters 1, 4 and 5 to provide for different types of alarm. *The default alarm type is "2".

Error display (trouble shooting)

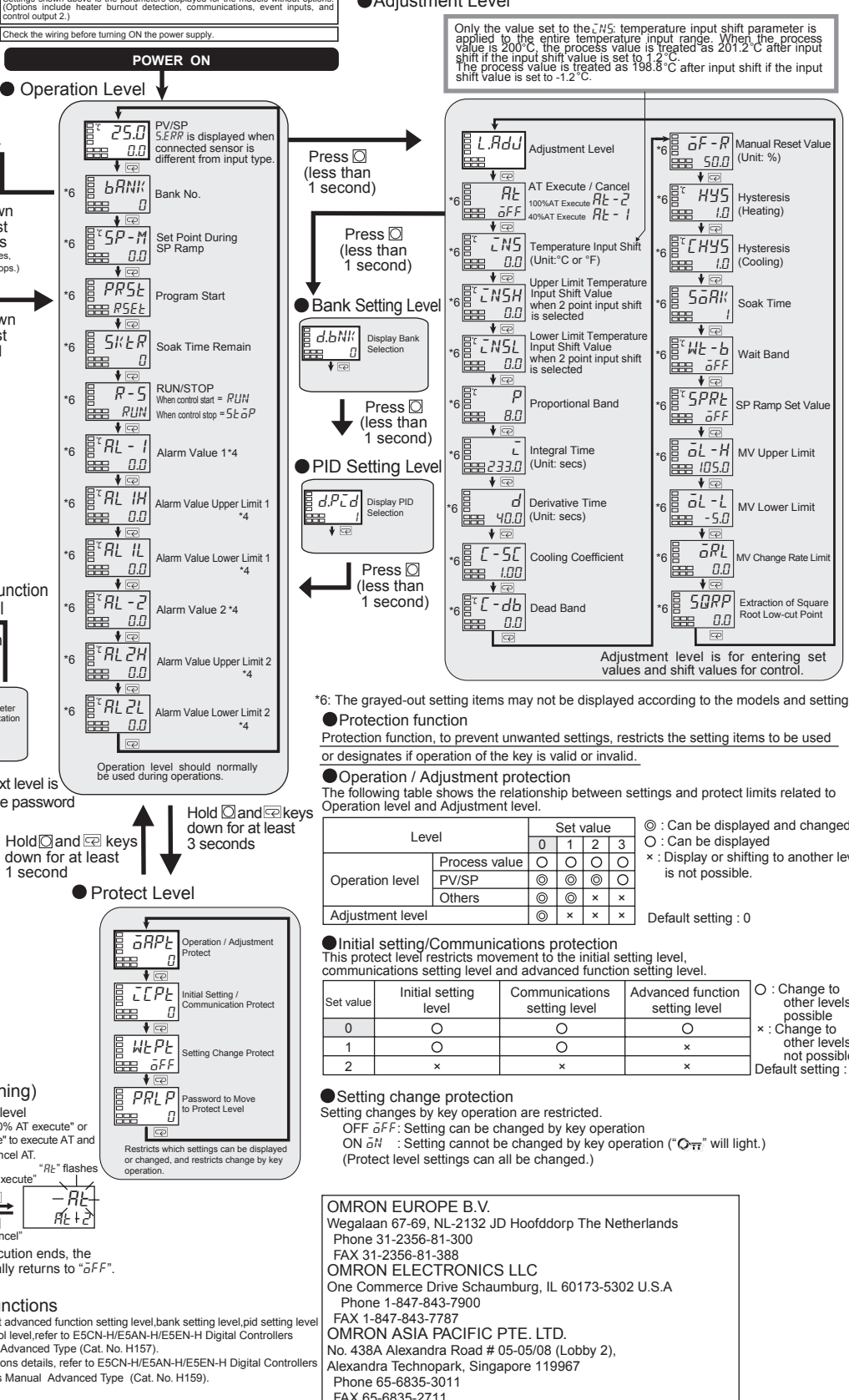
Table mapping No.1 display error code to Meaning and Action. Includes SErr, E333, and E111.

If the input value exceeds the display limit (-19999 to 32400), though it is within the control range, [SErr] will be displayed under -19999 and [333] above 32400.

Initial Setting Level



Adjustment Level



*6: The grayed-out setting items may not be displayed according to the models and setting.

OMRON EUROPE B.V. Wegalaan 67-69, NL-2132 JD Hoofddorp The Netherlands. Phone 31-2356-81-300. FAX 31-2356-81-388.

