

# MITSUBISHI

---

# Serial Communication Module

---

User's Manual  
(Hardware)

**A1SJ71QC24N1**  
**A1SJ71QC24N1-R2**

Thank you for buying the Mitsubishi general-purpose programmable logic controller MELSEC-QnA Series

Prior to use, please read both this manual and detailed manual thoroughly and familiarize yourself with the product.



MODEL	A1SJ71QC24N1-U-HW
MODEL CODE	13JP85
IB(NA)-0800330-A(0512)MEE	

# ● SAFETY PRECAUTIONS ●

(Always read these instructions before using this equipment.)

Before using this product, please read this manual and the relevant manuals introduced in this manual carefully and pay full attention to safety to handle the product correctly.

These precautions apply only to this product. For the PLC system safety precautions, refer to the user's manual of your CPU module.

In this manual, the safety instructions are ranked as "DANGER" and "CAUTION".



**DANGER**

Indicates that incorrect handling may cause hazardous conditions, resulting in death or severe injury.



**CAUTION**

Indicates that incorrect handling may cause hazardous conditions, resulting in medium or slight personal injury or physical damage.

Note that the **CAUTION** level may lead to a serious consequence according to the circumstances.

Always follow the instructions of both levels because they are important to personal safety.

Please save this manual to make it accessible when required and always forward it to the end user.

## [DESIGN PRECAUTIONS]

### **DANGER**

- When using the notification function, the pager receiver may not be contacted due to the frequency transmission status from the system setup environment and error on the receiver side.  
To ensure the safety of the PLC system, install a call circuit with a lamp display or buzzer sound.
- When performing the control of the PLC in operation (especially changing data, program, and operation status (remote run/stop)) by connecting a personal computer, etc. to the special function module, configure an interlock circuit in a sequence program so the safety of the overall system is always maintained.  
Especially, when this control is performed to a remote PLC from an external device, troubles that have occurred on the PLC side may not be able to immediately be handled if there is a data communication error.  
Define a troubleshooting agreement between external devices and the PLC CPU for data communication error occurrences, as well as construct an interlock circuit in the sequence program.

## [DESIGN PRECAUTIONS]

### CAUTION

- Do not bunch the control wires or communication cables with the main circuit or power wires, or install them close to each other.  
They should be installed 100mm (3.9 inch) or more from each other.  
Not doing so could result in noise that would cause malfunction.

## [INSTALLATION PRECAUTIONS]

### CAUTION

- Use the PLC in an environment that meets the general specifications contained in the user's manual of the CPU module.  
Using this PLC in an environment outside the range of the general specifications could result in electric shock, fire, malfunction, and damage to or deterioration of the product.
- Be sure to shut off all phases of the external power supply used in the system before installation or cleaning.  
Failure to do so may cause an electric shock or damage to the product.
- Insert the fixing projection on the module bottom into the fixing hole in the base unit and mount the module using the hole as a supporting point. (For the Q2AS series module, be sure to screw it to the base unit with the specified torque.)  
Incorrect module mounting may cause a malfunction, failure or drop of the module.
- Tighten the screws within the range of specified torque.  
If the screws are loose, it may result in fallout, short circuits, or malfunction.  
Tightening the screw too far may cause damage to the screw and/or the module, resulting in fallout, short circuits, or malfunction.
- Do not directly touch the module's conductive parts or electronic components.  
Doing so could cause malfunction or failure in the module.

## [WIRING PRECAUTIONS]

### CAUTION

- Be sure to fix communication cables leading from the module by placing them in the duct or clamping them.  
Cables not placed in the duct or without clamping may hang or shift, allowing them to be accidentally pulled, which may result a module malfunction and cable damage.
- Perform correct pressure-displacement, crimp-contact or soldering for wire connections using the tools specified by the manufactures.  
Attach connectors to the module securely.
- Before connecting the cables, check the type of interface to be connected.  
Connection, or erroneous wiring, to the wrong interface may failure the module and external devices.
- Tighten the terminal screws within the range of specified torque.  
If the terminal screws are loose, it may result in short circuits or malfunction.  
Tightening the screw too far may cause damage to the screw and/or the module, resulting in fallout, short circuits, or malfunction.
- When detecting the communication cable from the module, do not pull the cable portion.  
For cables with connectors, hold the connector at the junction to the module, then detach it.  
For cables without connectors, first loosen the screw at the junction, then detach the cable.  
Pulling the cable portion while it is connected to the module may cause malfunction or damage to the module and cable.
- Be sure there are no foreign substances such as sawdust or wiring debris inside the module.  
Such debris could cause fires, failure, or malfunction.

## [STARTING AND MAINTENANCE PRECAUTIONS]

### DANGER

- Do not touch the connector while the power is on.  
Doing so could cause malfunction.
- Be sure to shut off all phases of the external power supply used in the system before cleaning or screw retightening.  
Failure to do so may result in failure or malfunction of the module.  
If the screw is too loose, it may cause an accidental drop of the module, short circuit or malfunction.  
Excessive screw tightening may cause damage to the screw and/or module, resulting in a drop of the module, short circuit or malfunction.

## [STARTING AND MAINTENANCE PRECAUTIONS]

### CAUTION

- Do not disassemble or modify the modules.  
Doing so could cause failure, malfunction, injury, or fire.
- Be sure to shut off all phases of the external power supply used in the system before installing or removing the module.  
Failure to do so may cause failure or malfunction of the module.
- Always make sure to touch the grounded metal to discharge the electricity charged in the body, etc., before touching the module.  
Failure to do so may cause a failure or malfunctions of the module.

## [OPERATING PRECAUTIONS]

### DANGER

- Do not write data into the "system area" of the buffer memory of special function modules.  
Also, do not output the "prohibited to use" signal as the output signal to a special function module from the PLC CPU.  
Writing data into the "system area" or outputting a signal for "prohibited to use" may cause system malfunction in the PLC.

### CAUTION

- Before performing the control of the PLC in operation (especially changing data, program, and operation status (remote run/stop)) by connecting a personal computer, etc. to the special function module, read this manual carefully and confirm if the overall safety is maintained.  
Failure to perform correct operations to change data, program, or the status may result in system malfunction, machine damage, or an accident.
- When using the module while values, such as buffer memory set values, are registered in the EEPROM, do not turn off the power supply for the module loading station not reset the PLC CPU.  
If the power supply for the module loading station is turned off or the PLC CPU is reset while any values are registered, the data contents in the EEPROM become inconsistent and as a result the values must be set again in the buffer memory, etc. and reregistered to the EEPROM.  
Also, this may cause failure and malfunction of the module.

## [DISPOSAL PRECAUTIONS]

### CAUTION

- When disposing of this product, treat it as industrial waste.

## Revisions

\*The manual number is noted at the lower right of the top cover.

Print Date	*Manual Number	Revision
Dec., 2005	IB(NA)-0800330-A	First printing

This manual confers no industrial property rights or any rights of any other kind, nor does it confer any patent licenses. Mitsubishi electric Corporation cannot be held responsible for any problems involving industrial property rights which may occur as a result of using the contents noted in this manual.

© 2005 MITSUBISHI ELECTRIC CORPORATION

# CONTENTS

1. Overview .....	1
2. Transmission Specifications .....	2
2.1 When the Modem Function is not Used .....	2
2.2 When the Modem Function is Used .....	3
3. Part Names And Setting .....	4
4. Mounting and Installation .....	9
4.1 Handling Precautions .....	9
4.2 Installation Environment .....	9
5. External Wiring .....	10
5.1 Connecting RS-232C Line .....	10
5.2 Connecting RS-422/485 Line .....	13
6. External Dimensions .....	18

## **About the Manuals**

The following product are available for this equipment.  
Refer to the table given below to choose suitable manuals.

### **Related Manual**

Manual name	Manual No. (Model code)
Serial Communications Module Guidebook	IB-66622 (13JF11)
Serial Communications Module User's Manual (Modem Function Additional Version)	IB-66612 (13J825)
Computer Link Guidebook	SH-3510 (13JE76)
Computer Link Module (Com.link func./Print.func.) User's Manual	SH-3511 (13JE77)

## **Conformation to the EMC Directive and Low Voltage Instruction**

For details on making Mitsubishi PLC conform to the EMC directive and low voltage instruction when installing it in your product, please see Chapter 3, "EMC Directive and Low Voltage Instruction" of the User's Manual (Hardware) of the CPU module to use or that of the PLC CPU included with base unit. The CE logo is printed on the rating plate on the main body of the PLC that conforms to the EMC directive and low voltage instruction. By making this product conform to the EMC directive and low voltage instruction, it is not necessary to make those steps individually.



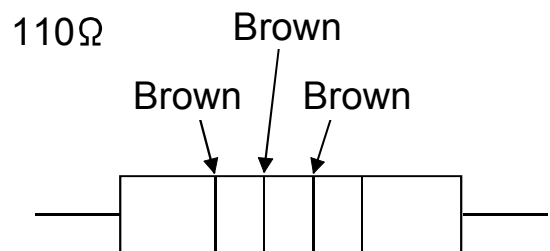
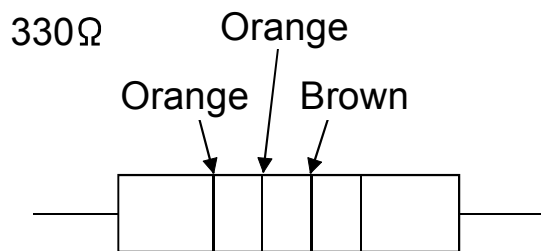
# 1. Overview

This manual describes how to install the following serial communications modules (hereinafter referred to as QC24N) and how to wire them with external devices.

When unpacking the module, check that the products listed in the table below are present.

Model	Product name	Quantity
A1SJ71QC24N1	A1SJ71QC24N1 serial communication module	1
	RS-422 communication terminal resistor 330Ω, 1/4W (orange/orange/brown/□)* <sup>1</sup>	2
	RS-485 communication terminal resistor 110Ω, 1/2W (brown/brown/brown/□)* <sup>1</sup>	2
A1SJ71QC24N1-R2	A1SJ71QC24N1-R2 serial communication module	1

\*1 How to discriminate between the terminating resistors



## 2. Transmission Specifications

The transmission specifications of the QC24N is shown below.  
Refer to CPU module User's Manual for QC24N general specification.

### 2.1 When the Modem Function is not Used

The table below lists the transmission specification when the QC24N modem function is not used.

Item		Specifications			
		A1SJ71QC24N1	A1SJ71QC24N1-R2		
Interface	CH1	RS-232C	RS-232C		
	CH2	RS-422/485	RS-232C		
Communications system		Full-duplex/Half-duplex (Only RS-232C interface is selectable.)			
Synchronous system		Asynchronous system			
Transmission speed (Unit : bps)		300, 600, 1200, 2400, 4800, 9600, 14400, 19200, 28800, 38400, 57600, 115200 (The total of CH1 and CH2 must be within 230400 bps.)			
Data format	Start bit	1			
	Data bit	7 / 8			
	Parity bit	1 (yes) / 0 (no)			
	Stop bit	1 / 2			
Error detection	Parity check	Yes (odd/even) / No			
	Sum check code	Yes / No			
Transmission control	DTR/DSR	Yes (Only RS-232C interface is selectable.) / No			
	DC code	Yes (DC1/DC3, DC2/DC4) / No			
Writing to EEPROM		100,000 times for the same area (Max.)			
Line connection	Independent mode	Dedicated protocol	RS-232C ..... 1: 1 RS-422/485..... 1: 1, 1: n, m: n * Only 1: 1 can be used for the bidirectional protocol. m: n can only be used for a dedicated protocol.		
		Non procedure protocol			
		Bidirectional protocol			
	Linked mode	Dedicated protocol		1: n, m: n	(Link operation not available)
		Non procedure protocol		1: n	
		Bidirectional protocol		(Data communications not available)	
Transmission distance (Overall distance)		RS-232C..... 15m (49.2ft.) or less RS-422/485 ..... 1200m (3937.0ft.) or less			
5V DC Internal current consumption		0.38A	0.30A		
Number of occupied I/O points		32 points (*1)			
Weight		0.30kg (0.66lb)	0.26kg (0.57lb)		

\*1 Set special 32 points when allocating I/O by GPP function. Set "AJ71QC24" as a model name registration when using dedicated command.

## 2.2 When the Modem Function is Used

The table below lists the transmission specification between QC24N and modem/terminal adapter of local station QC24N end (abbreviated as TA from here on) when the QC24N modem function is used.

The transmission specification items not shown in the table shall be the same as those listed in Section 2.1.

Item	Specifications	
	A1SJ71QC24N1	A1SJ71QC24N1-R2
Applicability of modem function	Usable	
Interface that can be used modem function	RS-232C	RS-232C (*1)
Linked mode between CH1 and CH2 for QC24N	Unusable	
Communications system	Full-duplex	
Synchronous system	Asynchronous system	
Transmission speed (unit: bps)	1200, 2400, 4800, 9600, 14400, 19200, 28800, 38400, 57600, 115200 (The total of CH1 and CH2 must be within 230400 bps.)	
Transmission control	RS-CS control yes / no (Selection)	
Applicability of data communication	Dedicated protocol	Communication enabled
	Non procedure protocol	Communication enabled
	Bidirectional protocol	Communication enabled
	Communication with link dedicated instruction	Communication disabled
Line connection (QC24N: Modem)	1: 1	

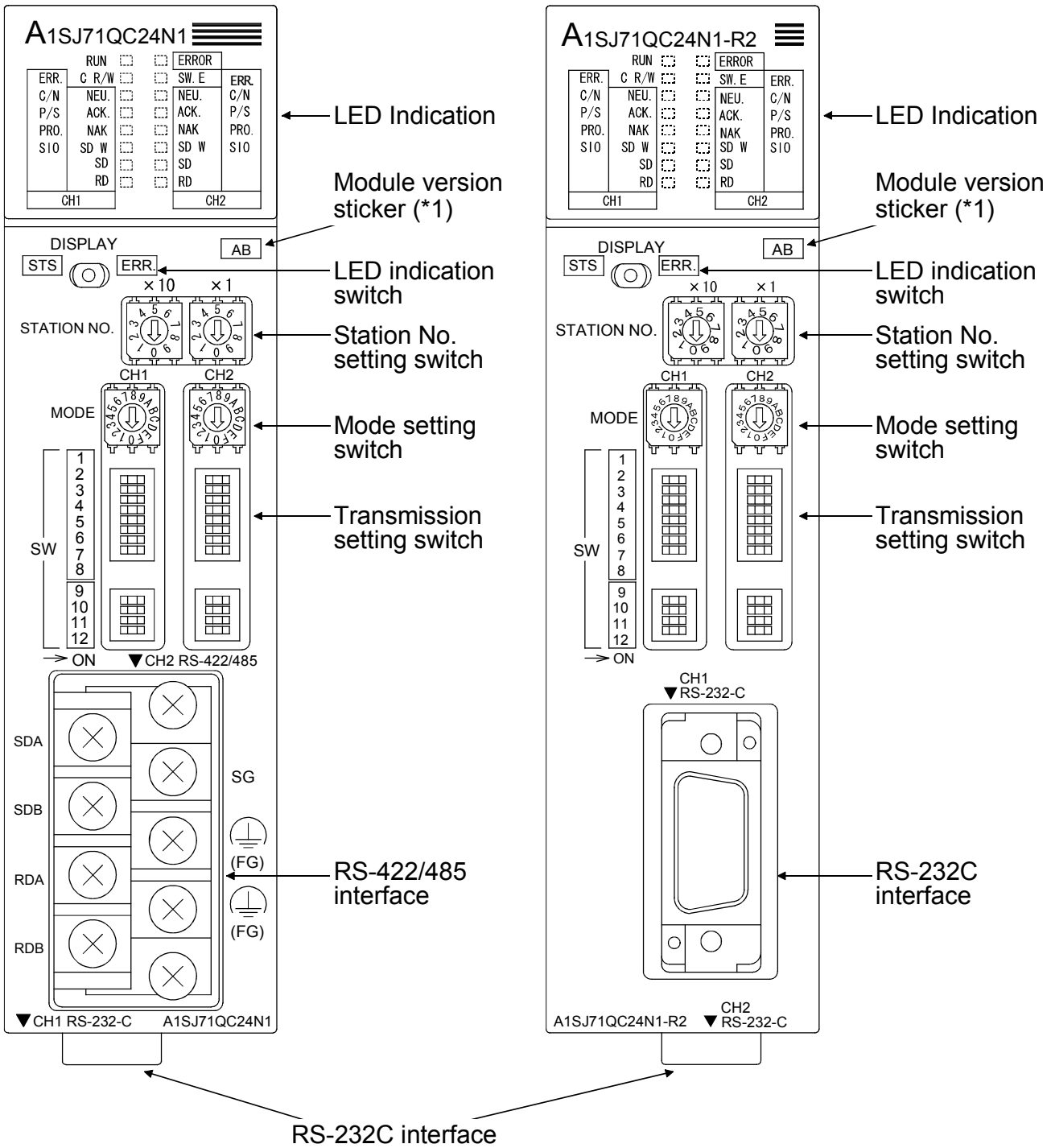
\*1 Communication by the modem function is possible using either of the two RS-232C interfaces.

However, it is possible to communicate with only CH1 side when communicating with the peripheral device for GPPQ.

# 3. Part Names And Setting

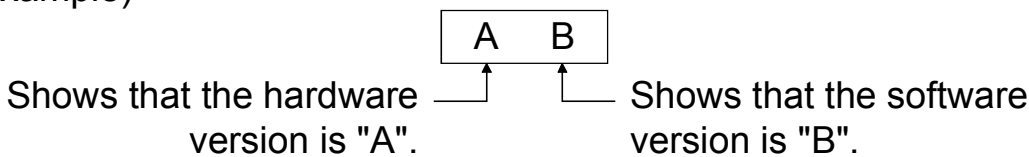
## • A1SJ71QC24N1

## • A1SJ71QC24N1-R2



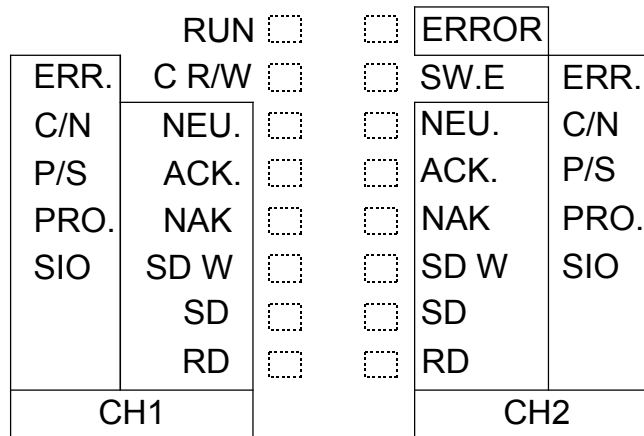
\*1 Sticker showing the module hardware version and software version.

(Example)



(1) LED Indication

The LEDs indicate the data communication status, operating status, error status of the QC24N.



LED Name	Meaning of LED Indication	LED ON (ON/BLINK)	LED OFF (OFF)	Initial Status of LED	Related Protocol		
					Dedicated	Non procedure	Bidirectional
RUN	Normal Operation	Normal	Abnormal	ON	○		
ERROR	Error batch	Any of ERR. error, C/N error, P/S error, PRO. error, SIO error occur	Normal	OFF			
SD	CH <input type="checkbox"/> send status	Blinks during data transmission	Not sent	OFF			
RD	CH <input type="checkbox"/> receive status	Blinks during data reception	Not received	OFF			
Display select switch STS side	C R/W	Communicating with PC	Blinks during PC communications (when not communicating is OFF)	OFF	○		
	SW. E	Switch setting error	Switch setting error	Normal			
	NEU.	CH <input type="checkbox"/> neutral status	Transmission sequence initial status (Waiting to receive command messages)	Command message receive completed	*1	○	—
	ACK.	CH <input type="checkbox"/> [Normal End] transmission	After [Normal End] transmitted	After [Abnormal End] transmitted	OFF		
	NAK	CH <input type="checkbox"/> [Abnormal End] transmission	After [Abnormal End] transmitted	After [Normal end] transmitted	OFF		
	SD W	Send wait status	When data send wait state generated	After start of transmission	OFF		

(Continued to next page)

(From previous page)

LED Name		Meaning of LED Indication	LED ON (ON/BLINK)	LED OFF (OFF)	Initial Status of LED	Related Protocol		
						Dedicated	Non procedure	Bidirectional
Display select switch ERR. side.	ERR.	CH $\square$ error occurrence	Switch setting error, mode switching error, send error, receive error, on-demand error	Normal	OFF	○		
	C/N	CH $\square$ and PC CPU communications result	*2	Normal	OFF	○	—	
	P/S	CH $\square$ parity/sum check error	Parity/sum check error	Normal	OFF	○		
	PRO.	CH $\square$ protocol error	Communications protocol error	Normal	OFF	○	—	
	SIO	CH $\square$ SIO error	Overrun, framing error	Normal	OFF	○		
When receive data purged because OS area is full.			Normal	OFF	—	○		

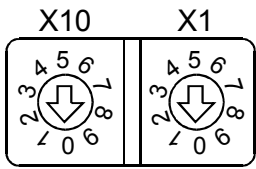
\*1 The indication is valid when the dedicated protocol is set as the target interface.

The LED is off when other than the dedicated protocol is set as the target interface.

\*2 The LED is turned on when an illegal communication request is received from an external device, or an error occurs while accessing the PLC CPU.

(2) Station number switch setting

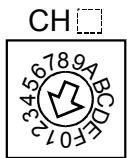
Set the station number so that external devices can specify the PC as the target of access during data communication via the dedicated protocol.

Station Switch Details	Description
<p>STATION NO.</p> 	<ol style="list-style-type: none"> <li>(1) Station number of the local QC24N is set from 0 to 31. (Do not set a station number over 32.)</li> <li>(2) X10 sets the station number 10 digit.</li> <li>(3) X1 sets the station number 1 digit.</li> <li>(4) Make sure that the station number setting does not overlap with another QC24N, etc., on the same network.</li> <li>(5) Not necessary to set the station numbers in connect order. Station numbers can also be skipped.</li> </ol>

(The factory setting is [00].)

(3) Mode switch setting

Set data communication functions for each interface.

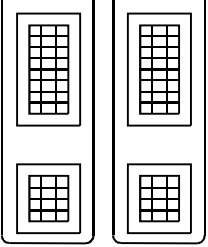
Mode Switch Details	Mode Switch No.	Setting Contents		
<p>MODE</p> 	0	When CH1 and CH2 operation is linked: Set CH1 to 0 Set CH2 to 1 to 6 When CH1 and CH2 operate independently: Setting impossible.		
	1	Dedicated protocol	ASCII mode	Format 1
	2			Format 2
	3			Format 3
	4			Format 4
	5			Binary mode
	6	Non procedure protocol		
	7	Bidirectional protocol		
	8 to D	Setting impossible		
	E	ROM/RAM/switch test		
F	Self loopback test			

(The factory setting is "1")

Point	
	Always set "1" to "7" for the mode setting switch on the interface side that is not connected to the external device.

#### (4) Transmission specifications switch setting

Set specifications for the communication with the data communication destination device, as well as other items.

Switch Details	Switch		Setting Item	Switch State		Notes
	CH1	CH2		OFF	ON	
	SW1		Operation setting	Independent operation	Linked operation	Be sure to set the CH1 to OFF. CH2 can be set to ON/OFF.
	SW2		Data bits setting	7 bits	8 bits	Parity bit not included.
	SW3		Parity bit enable/disable setting	Disable	Enable	When set to Enable, the setting of SW4 is effective.
	SW4		Even parity/odd parity setting	Odd	Even	Effective only when Parity Bit Enable is selected.
	SW5		Stop bit setting	1 bit	2 bits	—
	SW6		Sum check enable/disable setting	Disable	Enable	Dedicated protocol, bidirectional protocol
	SW7		Write during RUN enable/disable setting	Disable	Enable	Dedicated protocol
	SW8		Setting change enable/disable	Disable (prohibit)	Enable (allow)	Sets mode switching and EEPROM write allow/prohibit.
	SW9 to SW12		Transmission speed setting	(*1)		Can be set as long as the total of CH1 and CH2 is within 230400 bps.

(The factory settings are all OFF.)

\*1 The data transmission speeds allowed to set are as follows:

		Transmission speed (unit: bps)											
		300	600	1200	2400	4800	9600	14400	19200	28800	38400	57600	115200
Switch	SW09	OFF	ON	OFF	ON	OFF	ON	OFF	OFF	ON	ON	OFF	ON
	SW10	OFF	OFF	ON	ON	OFF	OFF	OFF	ON	OFF	ON	ON	ON
	SW11	OFF	OFF	OFF	OFF	ON	ON	OFF	ON	OFF	ON	OFF	OFF
	SW12	OFF	OFF	OFF	OFF	OFF	OFF	ON	OFF	ON	OFF	ON	ON

Settings other than above are not accepted.



## 4. Mounting and Installation

This section describes the handling precautions and installation environment common to all the modules when handling the QC24N from unpacking to installation.

Refer to the User's Manual of the PC CPU module used for a detailed description of mounting and installation of the module.

### 4.1 Handling Precautions

This section describes the module handling precautions.

- (1) The module case is made of plastic. Be sure not to drop it or subject it to strong vibration.
- (2) Tighten the module installation screws within the following tightening torque range.

Screw	Tightening Torque Range
RS-422/485 terminal block terminal screws (M3.5 screws)	59 to 88N .cm
Module installation screws (M4 screws)	78 to 118N .cm
RS-422/485 terminal block installation screws (M3 screws)	39 to 59N .cm
RS-232C connector installation screw (M2.6 screws)	19 to 24N .cm

### 4.2 Installation Environment

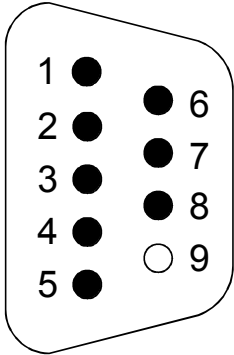
Do not install the Q2AS series PC in the following environments.

- (1) Where the ambient temperature exceeds the 0 to 55°C range.
- (2) Where the ambient humidity exceeds the 10 to 90% RH range.
- (3) Where condensation is produced by sudden temperature changes.
- (4) Where corrosive or combustible gas is present.
- (5) Where dust, iron powder and other conductive powder, oil mist, salt, or organic solvents are prevalent.
- (6) In direct sunlight.
- (7) Where a strong electric or magnetic field is generated.
- (8) Where vibration and shock may be transmitted directly to the module.

## 5. External Wiring

### 5.1 Connecting RS-232C Line

The standard connection procedure for RS-232C line is explained below.



Pin No.	Signal Code	Signal Name	Signal Direction (QC24N (*1) ↔ External Device)
1	CD	Receive carrier detection	←
2	RD (RXD)	Received data	←
3	SD (TXD)	Send data	→
4	DTR (ER)	Data terminal ready	→
5	SG	Signal ground	—
6	DSR (DR)	Data set ready	←
7	RS (RTS)	Send request	→
8	CS (CTS)	Send enabled	←

\*1 A1SJ71QC24N1 : CH1 side  
A1SJ71QC24N1-R2 : CH1 side/CH2 side

The following type of the RS-232C connector is used. The counter connector must match this connector.

9-pin D-sub (female) screw type  
17L-10090-27-D9AC (DDK ELECTRONICS LTD)

- (1) An example of connecting to an external device which is capable of turning ON/OFF the CD signal (pin 1)

(Full-duplex/Half-duplex communications)

QC24N Side		Connection and Signal Direction (Example)	External Device
Signal Name	Pin No.		Signal Name
CD	1		CD
RD (RXD)	2		RD (RXD)
SD (TXD)	3		SD (TXD)
DTR (ER)	4		DTR (ER)
SG	5		SG
DSR (DR)	6		DSR (DR)
RS (RTS)	7		RS (RTS)
CS (CTS)	8		CS (CTS)

(2) An example of connecting to an external device which is not capable of turning ON/OFF the CD signal (pin 1)

(a) An example for DC code control or DTR/DSR control

(Full-duplex communications)

QC24N side		Connection and Signal Direction (Example)	External Device
Signal Name	Pin No.		Signal Name
CD	1		CD
RD (RXD)	2	←→	RD (RXD)
SD (TXD)	3	←→	SD (TXD)
DTR (ER)	4	←→	DTR (ER)
SG	5	←→	SG
DSR (DR)	6	←→	DSR (DR)
RS (RTS)	7	←→	RS (RTS)
CS (CTS)	8	←→	CS (CTS)

(b) An example for DC code control (Full-duplex communications)

QC24N Side		Connection and Signal Direction (Example)	External Device
Signal Name	Pin No.		Signal Name
CD	1		CD
RD (RXD)	2	←→	RD (RXD)
SD (TXD)	3	←→	SD (TXD)
DTR (ER)	4	←→	DTR (ER)
SG	5	←→	SG
DSR (DR)	6	←→	DSR (DR)
RS (RTS)	7	←→	RS (RTS)
CS (CTS)	8	←→	CS (CTS)

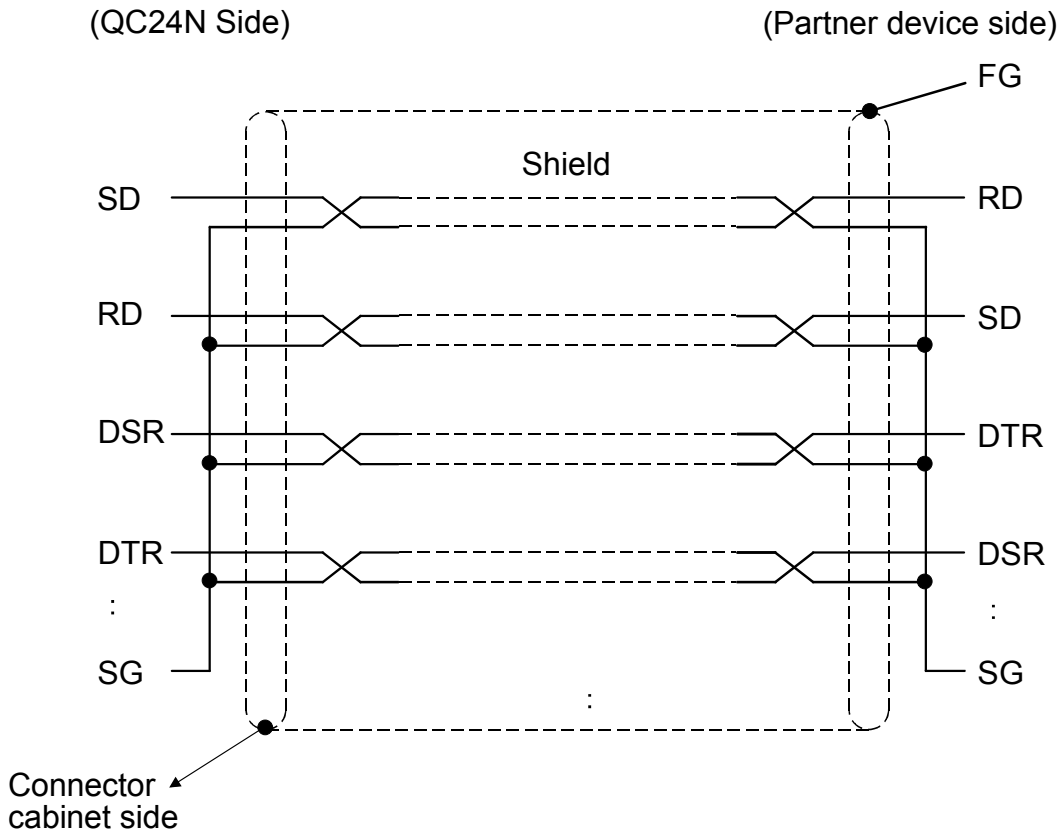
(3) Precaution when performing connections

1) Handle the FG signal and the shield of the connection cable in the following manner.

	Connection Method	Remark
FG signal	Connect to the connector cabinet area on the QC24N side.	<ul style="list-style-type: none"> <li>Do not short circuit the FG signal and the SG signal of the connection cable.</li> <li>When the FG signal and the SG signal are internally connected on the external device side, do not connect the FG signal to the QC24N.</li> </ul>
Shield	Connect to the FG terminal on the external device side or connector cabinet area on the QC24N side.	

2) When a normal data communication cannot be performed because of external noise even though the wiring has been made as 1), perform the wiring as follows:

- Connect between the FG terminal of the external device side and connector cabinet area of the QC24N side with the shield of the connection cable.  
On the external device side, however, follow the instruction manual of the external device.
- Connect each signal other than SG of the connection cable by paring up with SG.

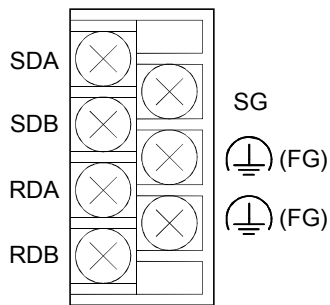


3) Do not connect a RS-422 device to the RS-232C interface.  
If a RS-422 device is connected, the RS-422 interface hardware on the connected device will be damaged, and communication will be disabled.

Point
When using QC24N's modem functions, use the RS-232C cable supplied with the modem/TA or a cable specified by the modem/TA for connection between the QC24N and the modem/TA.

## 5.2 Connecting RS-422/485 Line

The standard connection procedure for RS-422/485 line is explained below.

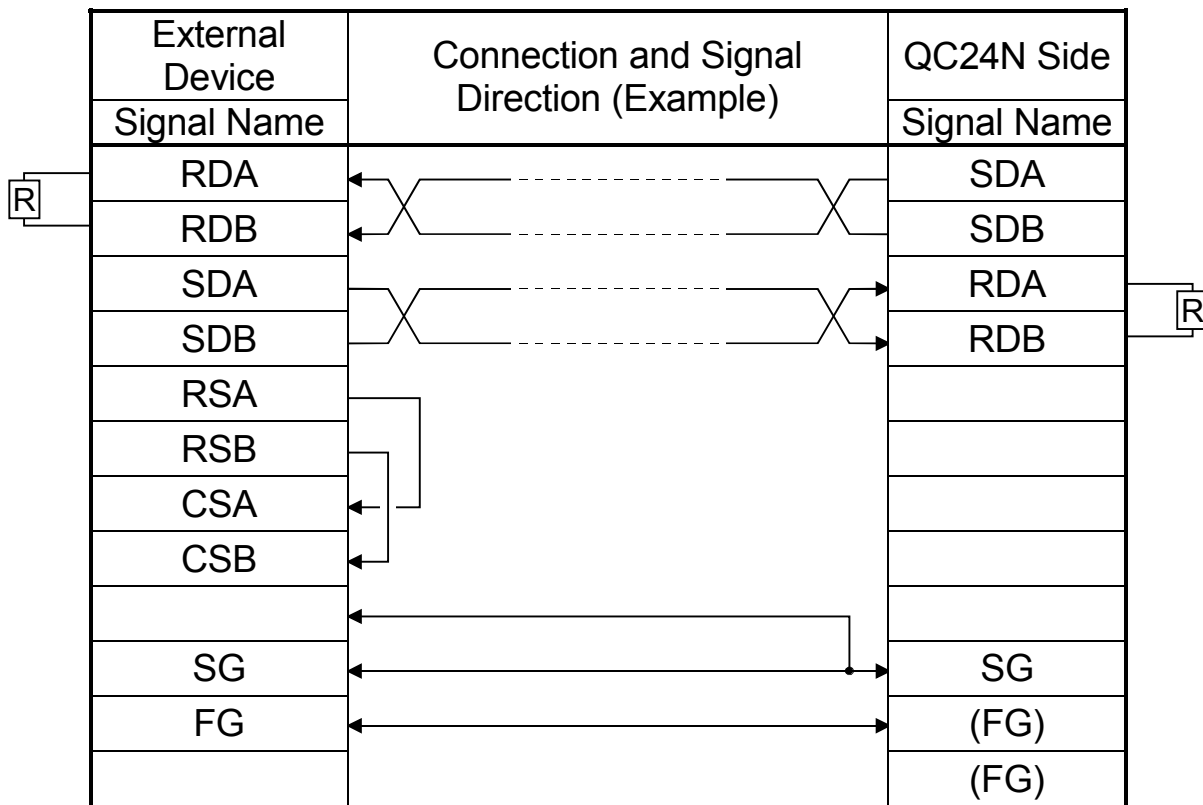


Signal Code	Signal Name	Signal Direction (QC24N (*1) ↔ External Device)
SDA	Send data (+)	—————→
SDB	Send data (-)	—————→
RDA	Received data (+)	←————
RDB	Received data (-)	←————
SG	Signal ground	←————→
(FG)	Frame ground	←————→
(FG)	Frame ground	—————

\*1 A1SJ71QC24N1 : CH2 side  
A1SJ71QC24N1-R2 : (None)

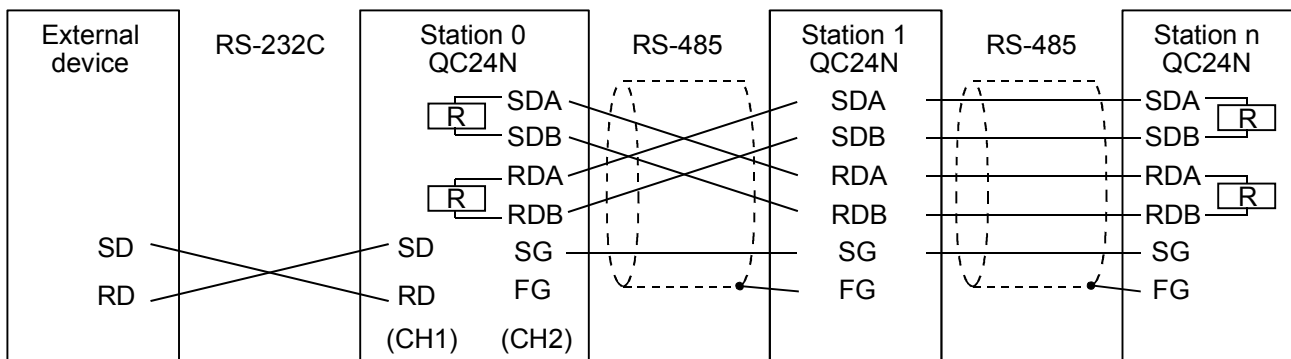
Point
<p>If the QC24N is the first or last station on the RS-422/485 line, connect a terminal resistor of the following specifications to the RS-422/485 interface. Data communication will be disturbed if a terminal resistor is not used.</p> <ul style="list-style-type: none"> <li>• For RS-422 communication ..... 330 Ω, 1/4 W</li> <li>• For RS-485 communication ..... 110 Ω, 1/2 W</li> </ul> <p>(1) When a QC24N is connected to each external device, connect a terminal resistor between RDA and RDB.</p> <p>(2) When the relationship between the numbers of connected external devices and QC24Ns is 1:n, connect terminal resistors between SDA and SDB and between RDA and RDB.</p> <p>(3) When the relationship between the numbers of connected external devices and QC24Ns is m: n, connect a terminal resistor between RDA and RDB.</p> <p>The <b>R</b> in the wiring diagram below indicates the connection of a terminal resistor.</p>

(1) Example of connecting external devices and QC24N by 1:1

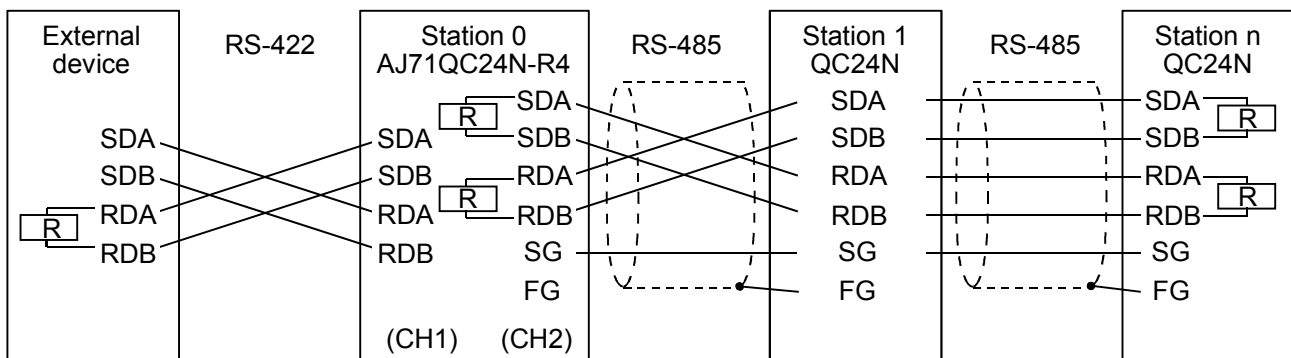


(2) Example of connecting external devices and QC24N by 1:n

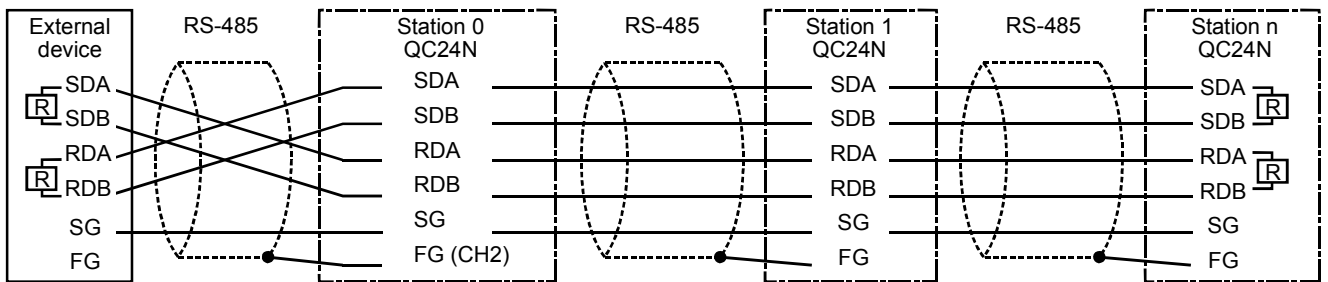
1) Connecting external devices and QC24N using RS-232C



2) Connecting external devices and QC24N using RS-422

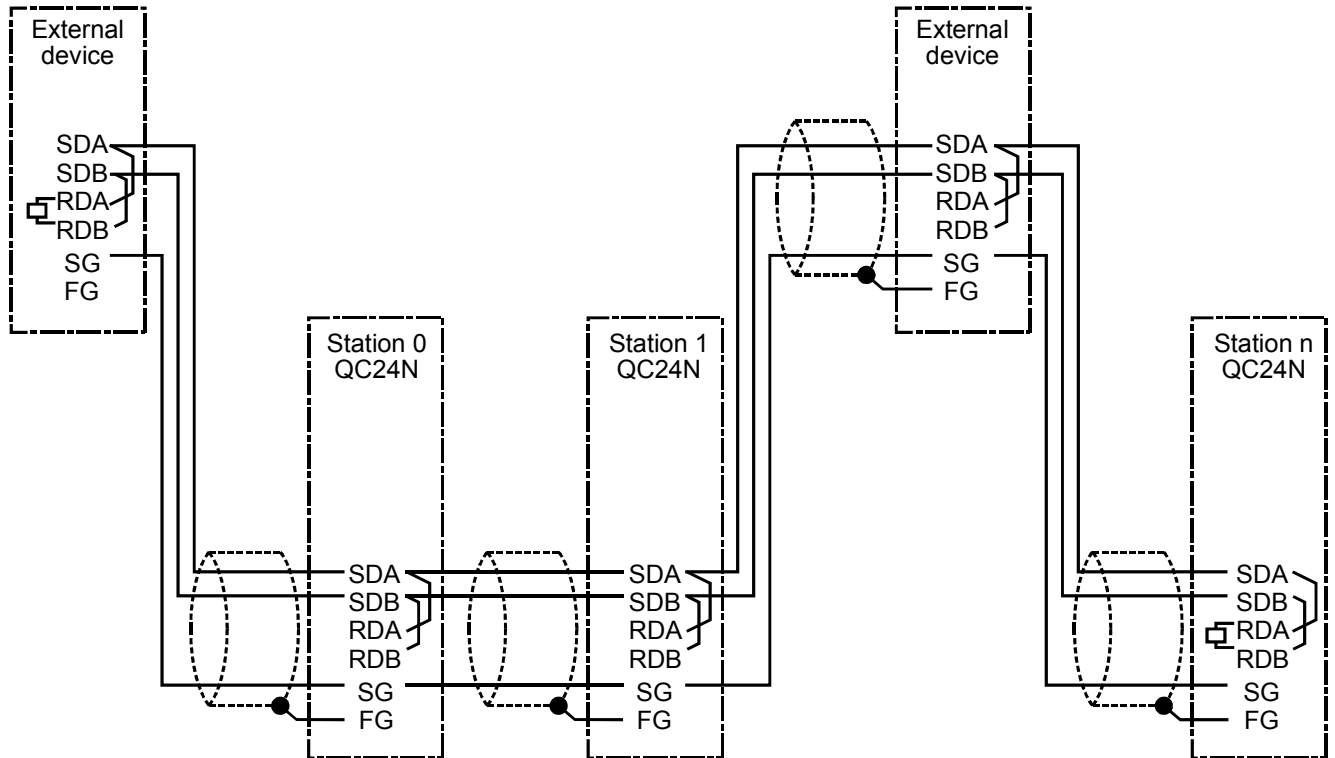


### 3) Connecting external devices and QC24N using RS-485



### (3) Example of connecting external devices and QC24N by m: n

\* Connecting external devices and QC24N using RS-485



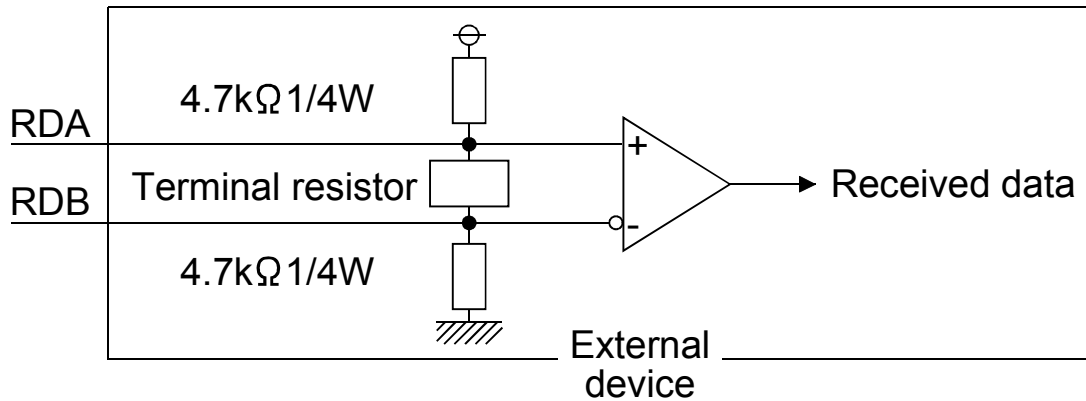
#### Point

In case of connecting external devices and QC24N by m: n, refer to Section 5.1 for an example of connecting external devices and QC24N using RS-232C.

(4) Countermeasure for data receive errors at the external device with RS-422 and RS-422/485 connections

During the data communication with external devices via QC24N RS-422/485 interface, if the external device receives an error data, install pull-up and pull-down resistors to the external device side (about 4.7kΩ, 1/4 W as a reference of resistor value).

Installation of pull-up and pull-down resistors will prevent a data receive error.



Point

When there is a pull-up or pull-down resistor at the external device, erroneous data is not received.

REMARK

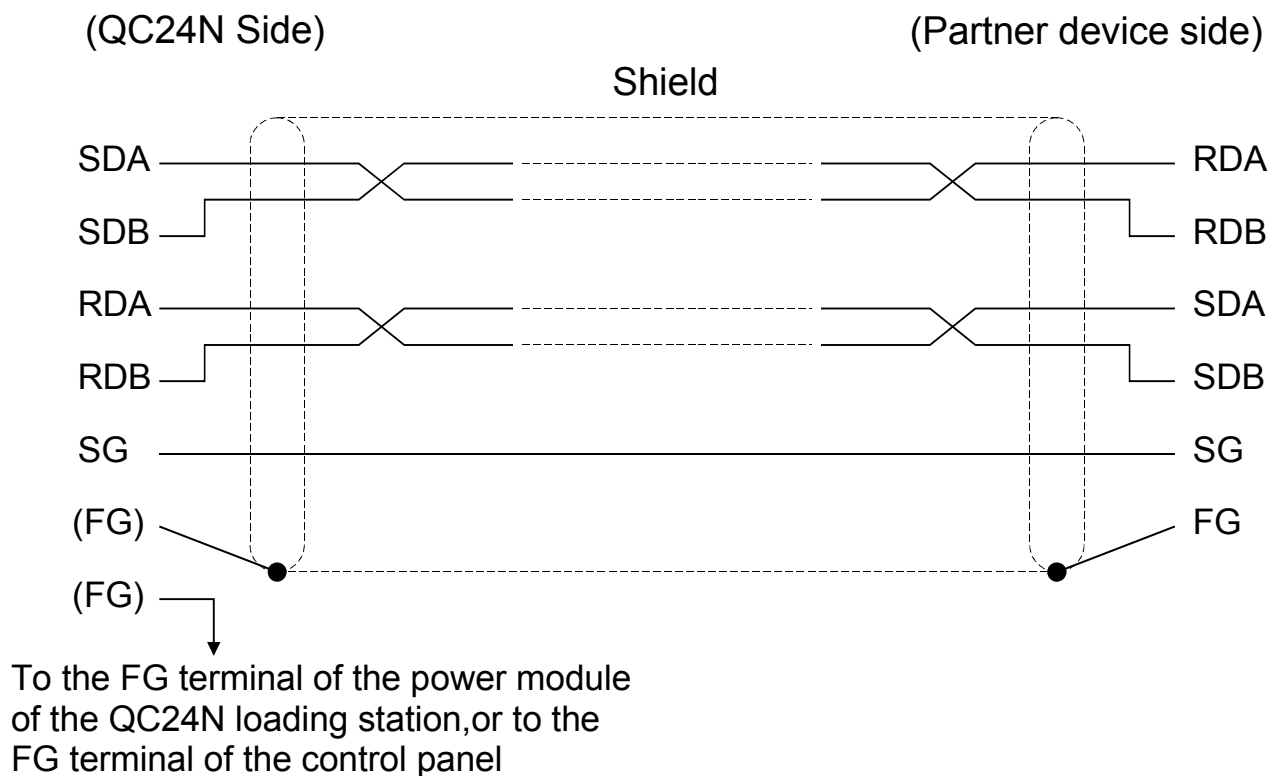
The following describes the case when a pull-up or pull-down resistor is not installed to the external device.

- 1) When no station is sending, the send line becomes high impedance and noise, etc. may cause the send line to change and the external device to receive erroneous data.  
In this case, there is probably a parity error or framing error.  
Therefore, skip the erroneous data.
- 2) Since the first data during data reception is fixed in the following cases, also skip the receive data until the head data is received.
  - When using a dedicated protocol for data communication, the user selects the first data according to the mode and format used.
  - When performing data communication using user frames with Non procedure protocol, the user selects the first data according to the user frames registered in the QC24N.



(5) Connection precautions

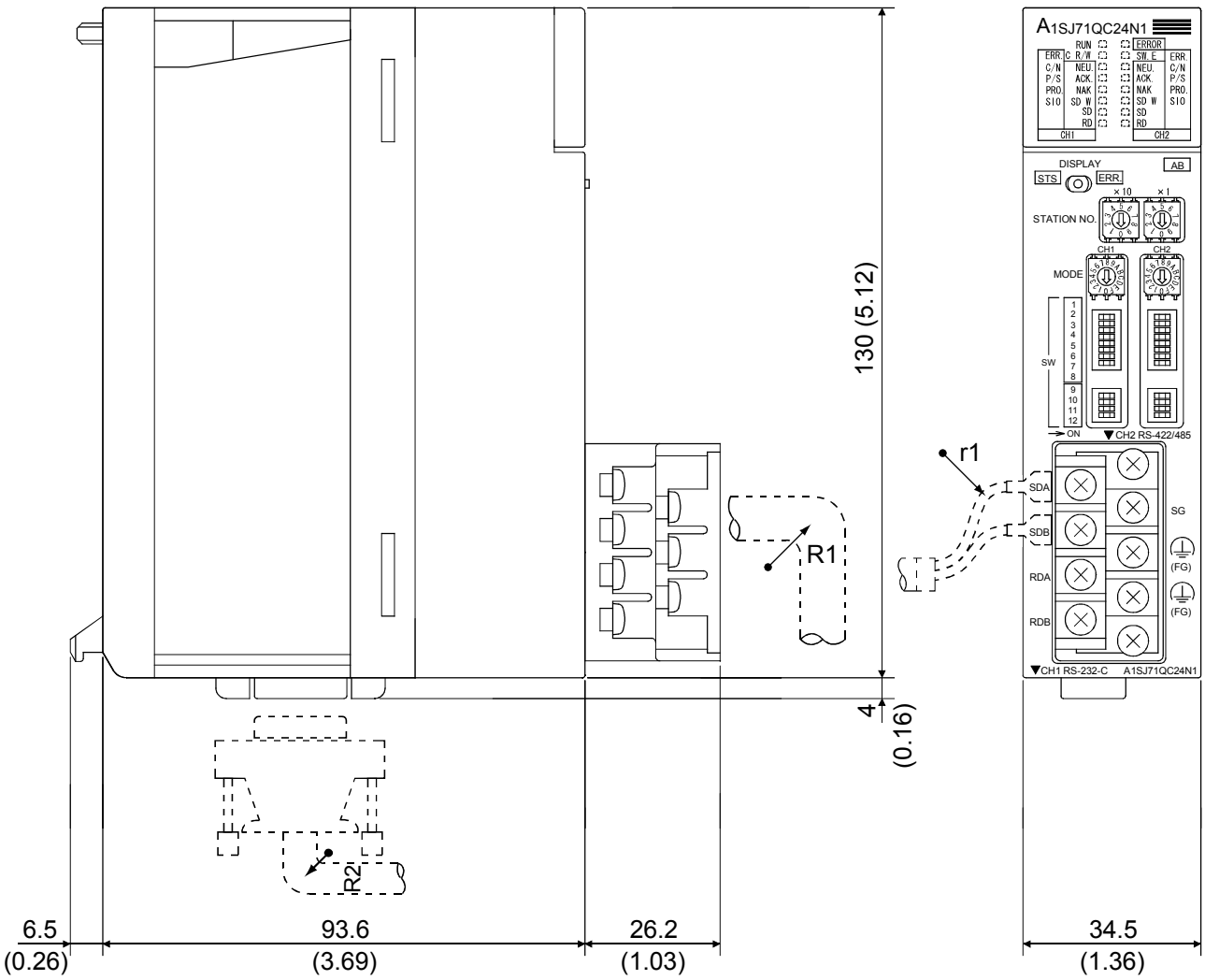
- 1) When connecting the QC24N SG and FG signals to the external device, connect them according to the specifications of the external device.
- 2) Connect the shield of the connection cable to either of the FG signals of the connected device.
- 3) When a normal data communication cannot be performed because of external noise even though the wiring has been made as above, perform the wiring as follows:
  - Connect between the FG of both stations with the shield of the connection cable.  
On the external device side, however, follow the instruction manual of the external device.
  - Connect the (FG) of the QC24N side to the FG terminal at the power supply module of the station which has a QC24N installed, or to the FG terminal of the control panel on which the QC24N PC is installed.
  - Connect nnA and nnB of each signal in the connection cable as a pair.



Point
(1) In the description of the setting and connection of the terminal resistor in this section, if the RS-232C – RS-422 converters, etc. are used on the stations on both ends of the network, the setting and connection of the terminal resistor is necessary on the converter side.
(2) The devices connected to the QC24N RS-422/485 interface must be unified with either RS-422 or RS-485 for 1:n and m: n connections.

# 6. External Dimensions

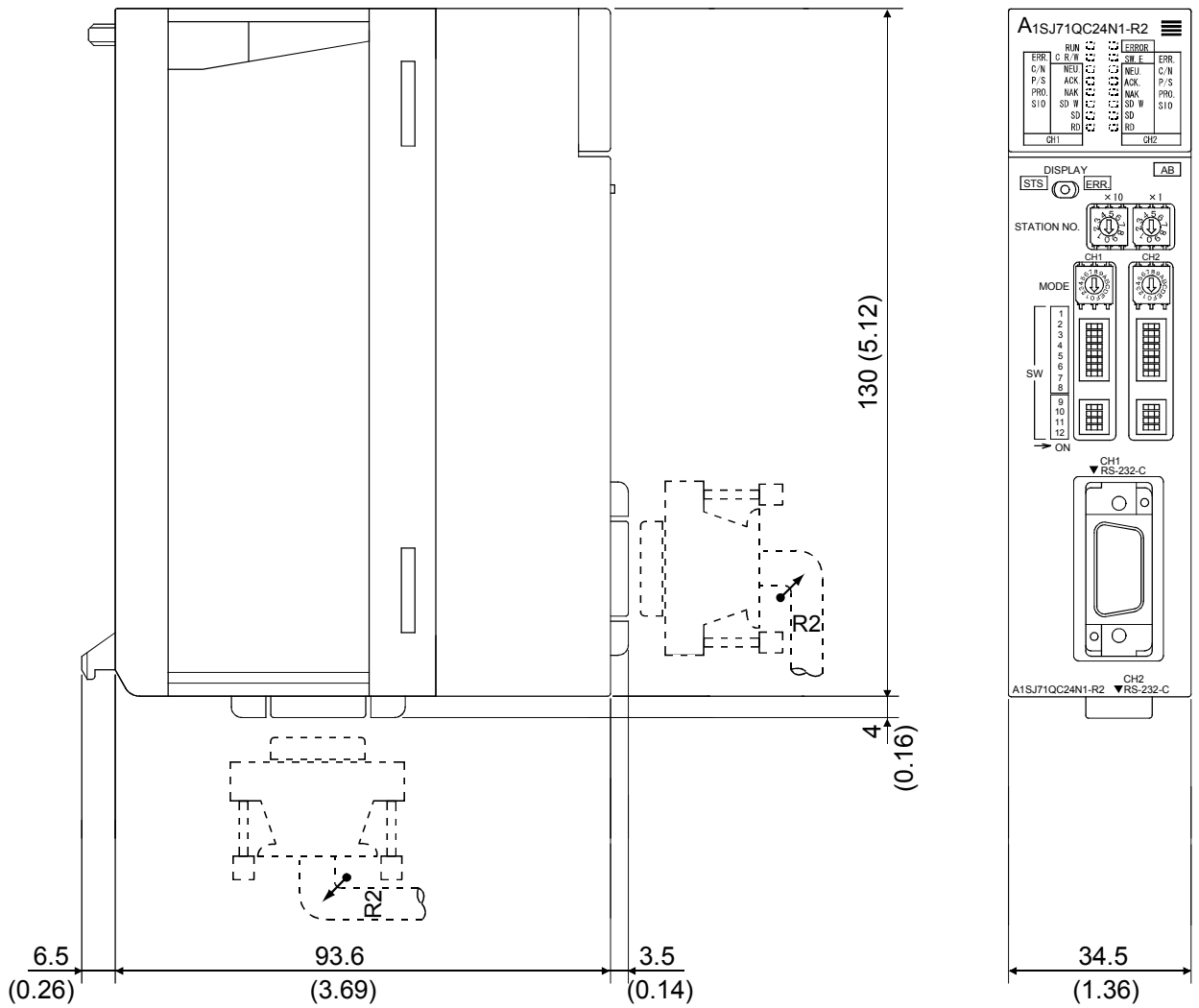
(1) A1SJ71QC24N1



(Unit: mm (inch))

- R1 (bend radius near terminal board): Outside cable diameter × 4
- R2 (bend radius near connector) : Outside cable diameter × 4
- r1 (bend radius near crimp terminal) : Can be connected within the range over which bending is not excessive

(2) A1SJ71QC24N1-R2



(Unit: mm (inch))

R2 (bend radius near connector): Outside cable diameter × 4

## Warranty

Mitsubishi will not be held liable for damage caused by factors found not to be the cause of Mitsubishi; machine damage or lost profits caused by faults in the Mitsubishi products; damage, secondary damage, accident compensation caused by special factors unpredictable by Mitsubishi; damages to products other than Mitsubishi products; and to other duties.

### ⚠ For safe use

- This product has been manufactured as a general-purpose part for general industries, and has not been designed or manufactured to be incorporated in a device or system used in purposes related to human life.
- Before using the product for special purposes such as nuclear power, electric power, aerospace, medicine or passenger movement vehicles, consult with Mitsubishi.
- This product has been manufactured under strict quality control. However, when installing the product where major accidents or losses could occur if the product fails, install appropriate backup or failsafe functions in the system.

Country/Region	Sales office/Tel	Country/Region	Sales office/Tel
U.S.A	Mitsubishi Electric Automation Inc. 500 Corporate Woods Parkway Vernon Hills, IL 60061 Tel : +1-847-478-2100	Hong Kong	Ryoden Automation Ltd. 10th Floor, Manulife Tower, 169 Electric Road, North Point, HongKong Tel : +852-2887-8870
Brazil	MELCO-TEC Rep. Com.e Assessoria Tecnica Ltda. Rua Correia Dias, 184, Edificio Paraiso Trade Center-8 andar Paraiso, Sao Paulo, SP Brazil Tel : +55-11-5908-8331	China	Ryoden Automation Shanghai Ltd. 3F Block5 Building Automation Instrumentation Plaza 103 Cao Bao Rd. Shanghai 200233 China Tel : +86-21-6120-0808
Germany	Mitsubishi Electric Europe B.V. German Branch Gothaer Strasse 8 D-40880 Ratingen, GERMANY Tel : +49-2102-486-0	Taiwan	Setsuyo Enterprise Co., Ltd. 6F., No.105 Wu-Kung 3rd.RD, Wu-Ku Hsiang, Taipei Hsine, Taiwan Tel : +886-2-2299-2499
U.K	Mitsubishi Electric Europe B.V. UK Branch Travellers Lane, Hatfield, Herts., AL10 8XB,UK Tel : +44-1707-276100	Korea	HAN NEUNG TECHNO CO.,LTD. 1F Dong Seo Game Channel Bldg., 660-11, Deungchon-dong Kangsec-ku, Seoul, Korea Tel : +82-2-3660-9552
Italy	Mitsubishi Electric Europe B.V. Italian Branch Centro Dir. Colleoni, Pal. Perseo-Ingr.2 Via Paracelso 12, 20041 Agrate B., Milano, Italy Tel : +39-039-6053344	Singapore	Mitsubishi Electric Asia Pte, Ltd. 307 Alexandra Road #05-01/02, Mitsubishi Electric Building Singapore 159943 Tel : +65-6473-2308
Spain	Mitsubishi Electric Europe B.V. Spanish Branch Carretera de Rubi 76-80 08190 Sant Cugat del Valles, Barcelona, Spain Tel : +34-93-565-3131	Thailand	F. A. Tech Co.,Ltd. 898/28,29,30 S.V.City Building,Office Tower 2,Floor 17-18 Rama 3 Road, Bangkokpong, Yannawa, Bangkok 10120 Tel : +66-2-682-6522
France	Mitsubishi Electric Europe B.V. French Branch 25 Boulevard des Bouvets, F-92741 Nanterre Cedex, France TEL: +33-1-5568-5568	Indonesia	P.T. Autoteknindo SUMBER MAKMUR Jl. Muara Karang Selatan Block a Utara No.1 Kav. No.11 Kawasan Industri/ Pergudangan Jakarta - Utara 14440 Tel : +62-21-663-0833
South Africa	Circuit Breaker Industries LTD. Tripswitch Drive, Elandsfontein Gauteng, South Africa Tel : +27-11-928-2000	India	Messung Systems Put,Ltd. Electronic Sadan NO:111 Unit No15, M.I.D.C BHOSARI,PUNE-411026, India Tel : +91-20-712-2807
		Australia	Mitsubishi Electric Australia Pty. Ltd. 348 Victoria Road, PostalBag, No 2, Rydalmere, N.S.W 2116, Australia Tel : +61-2-9684-7777



## MITSUBISHI ELECTRIC CORPORATION

HEAD OFFICE : TOKYO BUILDING, 2-7-3 MARUNOUCHI, CHIYODA-KU, TOKYO 100-8310, JAPAN  
NAGOYA WORKS : 1-14, YADA-MINAMI 5-CHOME, HIGASHI-KU, NAGOYA, JAPAN

When exported from Japan, this manual does not require application to the Ministry of Economy, Trade and Industry for service transaction permission.

Specifications subject to change without notice.  
Printed in Japan on recycled paper.