

**Precaution for Compliance with UL Standards and CSA Standards**

**Notice to Users of NS series PTs (hereafter, "PTs") in the USA and Canada**

Please use the following installation information instead of the general information in the instruction manuals in order to use the product under certified conditions of UL and CSA when the product is installed in the USA or Canada. These conditions are required by NFPA 70, National Electrical Code in the USA and the Canadian Electrical Code, Part I in Canada and may vary from information given in the product manuals or safety precautions

©OMRON Corporation 2009-2014

All Rights Reserved

1156397-4D

■ **Installation in a Panel**

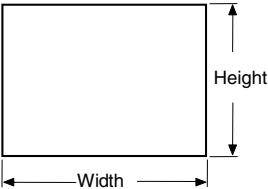
The PT is normally installed on a flat surface in an operation panel. Use an enclosure of the type given in the following table for the operation panel. Install the PT using the following procedure.

1,2,3...

1. Create an opening in the panel.

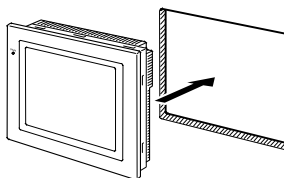
Panel board thickness: 1.6 to 4.8 mm

Model	Dimensions	Enclosure type * Following enclosure types are recognized by UL. Outdoor use is not permitted by OMRON.
NS15	Width 383.5+1/-0 x Height 282.5+1/-0 mm	Type 1, 12, 13, 4X indoor use only



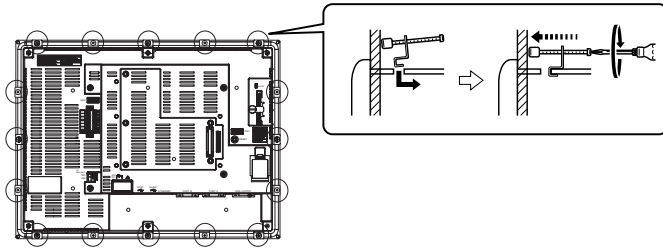
A diagram showing a rectangular opening in a panel. The opening is defined by a double-line border. Dimension lines with arrows indicate the 'Width' and 'Height' of the opening.

2. Install the PT from the front of the panel.



- Secure the PT to the panel using the provided Mounting Brackets. Tighten the Brackets evenly to the specified torque. Excessive tightening or insufficient tightening may deform the front sheet. To maintain water-resistant performance, the tightening torque must be 4.4 to 5.3 lb-in (0.5 to 0.6 N·m).

NS15 Mounting Diagram



#### ■ 24-VDC Power Supply Wiring for Models with DC Power Supply Input

- Use an isolated DC power supply.
- Do not use crimp terminals to wire the power.
- Use the following tightening torque and wire range for the terminal screws.  
7 lb in (0.8 N·m), AWG20 to AWG14

#### ■ Wiring for RS422 Connector

- Do not use crimp terminals to wire.
- Use the following wire range for the terminal block.  
AWG26 to AWG12

#### ■ Accessory Units for PTs

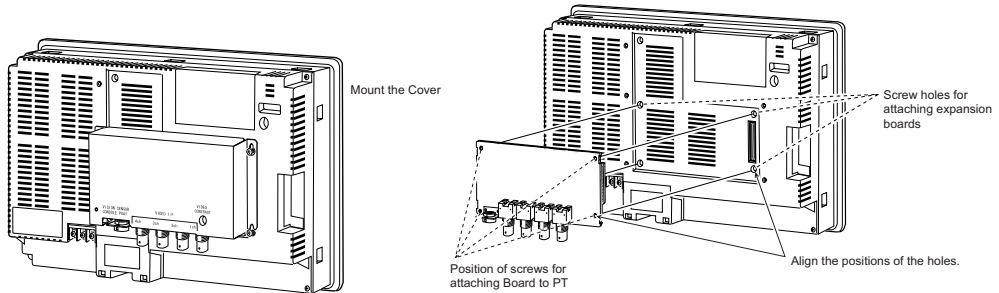
- NS-CA002: Video Input Unit (2 input channels, 1 RGB channel)
- NS-CLK21: Controller Link Interface Unit

## ■ Mounting the NS-CA002, or NS-CLK21

1,2,3...

1. As shown in the following diagram, connect the NS-CA002 or NS-CLK21 to the expansion interface connector on the PT.
2. After connecting, secure the NS-CA002/CLK21 with the four screws. The tightening torque is 5.3 lb-in (0.6 N·m).
3. Insert screws in the screw holes for attaching the cover and tighten them slightly. Align the cover's screw holes with the screws and mount the cover. The tightening torque is 5.3 lb-in (0.6 N·m).

NS-CA002 Mounting Diagram



## ■ RS-232C Cable for PT

Use one of the recommended cables: XW2Z Series (e.g., XW2Z-200S-CV)

## ■ USB Host Printer Cable

Use one of the recommended cables: NS-US52 or NS-US22

## ■ Console Cable for Video Input Unit

Use one of the recommended cables: F150-VKP Series (e.g., F150-VKP(2m))

These cables are for Internal Wiring Only.

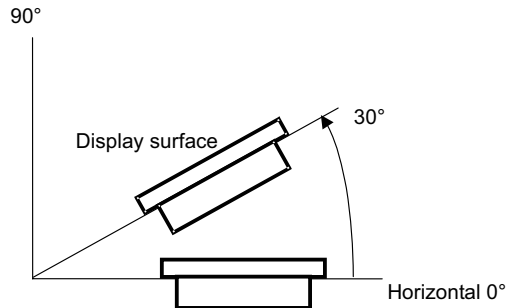
Separate cables from live parts and all other wiring by a minimum of 6.4 mm (1/4 in).

## ■ Operating Temperature

The PT must be used within the following operating temperature ranges.

Mounting angle of 0° to less than 30° to the horizontal: Operating temperature range of 0 to 35°C

Mounting angle of 30° to 90° or less to the horizontal: Operating temperature range of 0 to 50°C



## ■ Compliance with ANSI.2.12.01 Class I Division 2

Input and output wiring must be in accordance with Class I, Div. 2 wiring methods and in accordance with the authority having jurisdiction.

1. This equipment is suitable for use in Class I, Div.2, Group A, B, C, D or Non-Hazardous Locations Only.
2. WARNING: Explosion Hazard-Substitution of Components may Impair Suitability for Class I, Div.2.
3. WARNING: Explosion Hazard. Do not Disconnect Equipment Unless Power Has Been Switched off or the Area Is Known to Be Non-Hazardous.
4. This device is open-type and is required to be installed in an enclosure suitable for the environment and can only be accessed with the use of a tool or key.

1. Cet équipement convient à l'utilisation dans des emplacements de Classe I, Division 2, Groupes A, B, C, D, ou ne convient qu'à l'utilisation dans des endroits non dangereux.
2. AVERTISSEMENT - Risque d'explosion - La substitution de composants peut rendre ce matériel inacceptable pour les emplacements de Classe I, Division 2
3. AVERTISSEMENT - Risque d'explosion - Avant de débrancher l'équipement, couper le courant ou s'assurer que l'emplacement est désigné non dangereux.
4. Ce dispositif est de type ouvert et doit être installé dans un coffret adapté à l'environnement et auquel on ne pourra accéder uniquement au moyen d'un outil ou d'une cle.