

Discontinuation Notice of All Metal Proximity Sensor E2EV series.**Product Discontinuation**

All Metal Proximity Sensor

**Model E2EV series****Recommended Replacement**All Metals and Long-distance Types
Proximity Sensor**Model E2V series**

(No recommended replacement for the part)

[Discontinuation date]

The end of March, 2015

[Caution on recommended replacement]

1. Non-RoHS for RoHS
2. The sensing distance depends on the material of the sensing object.
3. Change the Indicator lamp.
4. There is reversed output polarity protection.
5. Change the sensing distance. (Some forms)

[Difference from discontinued product]

Recommended replacement Model	Body Color	Dimensions	Wire connection	Mounting Dimensions	Characteristics	Operation ratings
E2V series	**	**	**	**	*	--

** : Compatible

* : The change is a little/Almost compatible

-- : Not compatible

- : No corresponding specification

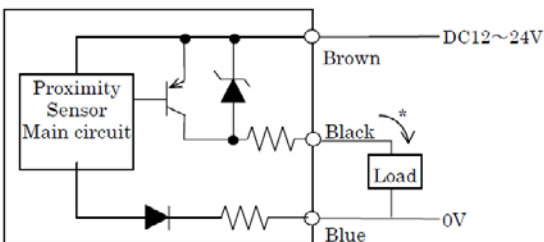
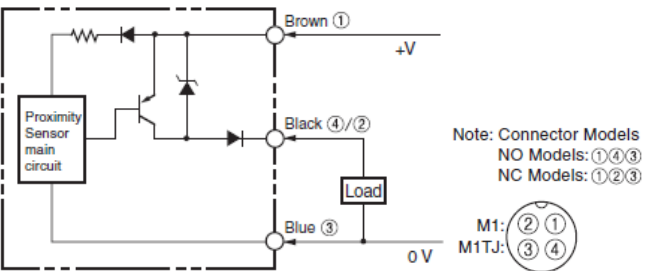
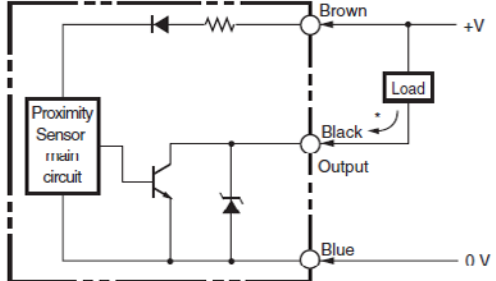
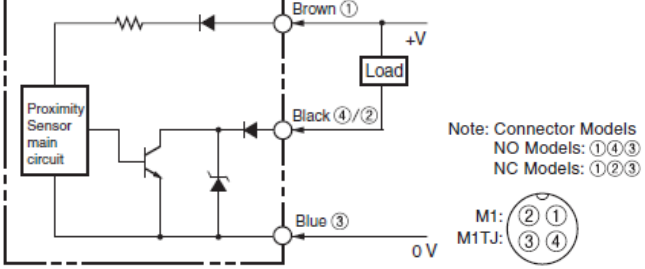
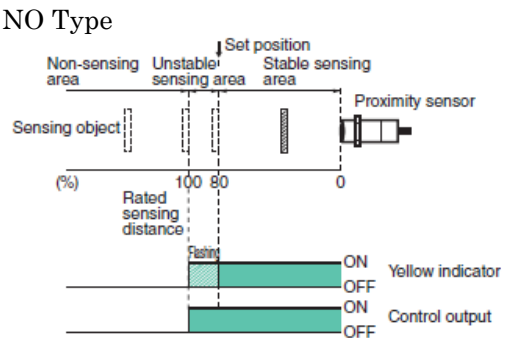
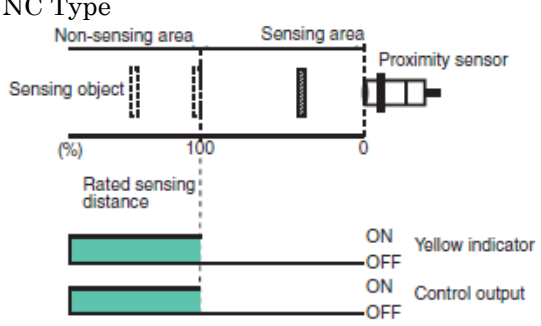
[Product Discontinuation and recommended replacement]

Product discontinuation	Recommended replacement
E2EV-X2B1 2M	E2V-X2B1 2M
E2EV-X2B2 2M	E2V-X2B2 2M
E2EV-X2C1 2M	E2V-X2C1 2M
E2EV-X2C1 5M	E2V-X2C1 5M
E2EV-X2C2 2M	E2V-X2C2 2M
E2EV-X2C2 5M	E2V-X2C2 5M
E2EV-X2E2-1 2M	No recommended replacement
E2EV-X5B1 2M	E2V-X5B1 2M
E2EV-X5B1 3M	E2V-X5B1 5M
E2EV-X5B1-M1J 0.3M	E2V-X8B1-M1TJ 0.3M
E2EV-X5B2 2M	E2V-X5B2 2M
E2EV-X5C1 2M	E2V-X5C1 2M
E2EV-X5C1 5M	E2V-X5C1 5M
E2EV-X5C1 20M	E2V-X8C1-M1
E2EV-X5C1 10M	E2V-X8C1-M1
E2EV-X5C1-40 5M	No recommended replacement
E2EV-X5C2 2M	E2V-X5C2 2M
E2EV-X5C2 5M	E2V-X5C2 5M
E2EV-X10B1 2M	E2V-X10B1 2M
E2EV-X10B1 5M	E2V-X10B1 5M
E2EV-X10B1 10M	E2V-X15B1-M1
E2EV-X10B2 2M	E2V-X10B2 2M
E2EV-X10C1 2M	E2V-X10C1 2M
E2EV-X10C1 5M	E2V-X10C1 5M
E2EV-X10C1 10M	E2V-X15C1-M1
E2EV-X10C1-M1J 0.3M	E2V-X15C1-M1TJ 0.3M
E2EV-X10C2 2M	E2V-X10C2 2M
E2EV-X10C2 5M	E2V-X10C2 5M
E2EV-X10C2 10M	E2V-X15C2-M1



[Body color]

Product discontinuation Model E2EV series	Recommendable replacement Model E2V series
Color: Silver Materials Case; Brass, Nickel plated Sensing face; ABS resin Cord; Polyvinyl chloride insulation round cord outline diameter	Color: Silver Materials: Case; Brass, Nickel plated Sensing face; ABS resin Cord; Polyvinyl chloride insulation round cord outline diameter

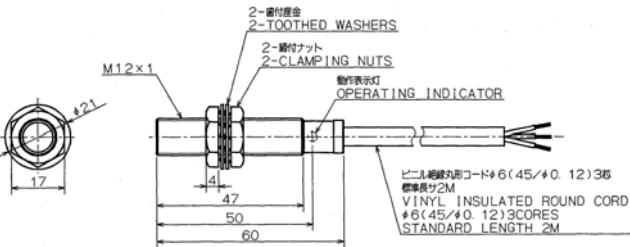
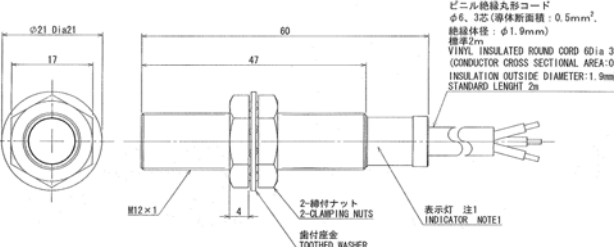
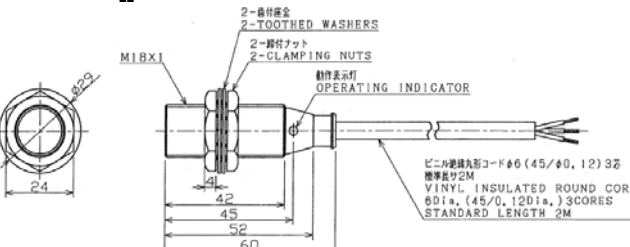
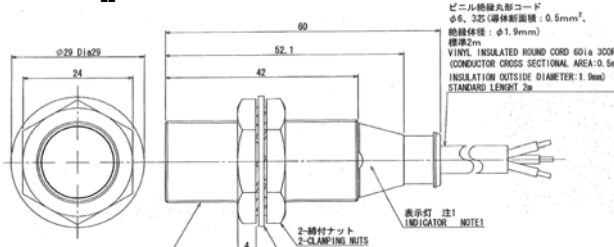
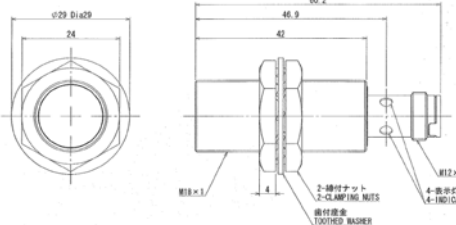
[Wire connection]

Product discontinuation	Recommendable replacement																														
<p>Output circuit</p> <p>E2EV-X[B]</p>  <p>* Load current : 100Ma max.</p>	<p>Output circuit</p> <p>E2V-X[B] (-M1/-M1TJ)</p>  <p>Note: Connector Models NO Models: ①④③ NC Models: ①②③</p> <p>M1: ② ① M1TJ: ③ ④</p>																														
<p>E2EV-X[C]</p>  <p>*Load current: 100 mA max.</p>	<p>E2V-X[C] (-M1/-M1TJ)</p>  <p>Note: Connector Models NO Models: ①④③ NC Models: ①②③</p> <p>M1: ② ① M1TJ: ③ ④</p>																														
<p>Timing chart</p> <p>E2EV-X1 (NO Type) E2EV-X2 (NC Type)</p> <p>NO Type</p> <table border="1" data-bbox="183 1187 630 1433"> <tr> <td rowspan="2">Sensing object</td> <td>Present</td> <td></td> </tr> <tr> <td>Not present</td> <td></td> </tr> <tr> <td rowspan="2">Output transistor (load)</td> <td>ON</td> <td></td> </tr> <tr> <td>OFF</td> <td></td> </tr> <tr> <td rowspan="2">Detection indicator (red)</td> <td>ON</td> <td></td> </tr> <tr> <td>OFF</td> <td></td> </tr> </table> <p>NC Type</p> <table border="1" data-bbox="183 1568 630 1803"> <tr> <td rowspan="2">Sensing object</td> <td>Present</td> <td></td> </tr> <tr> <td>Not present</td> <td></td> </tr> <tr> <td rowspan="2">Output transistor (load)</td> <td>ON</td> <td></td> </tr> <tr> <td>OFF</td> <td></td> </tr> <tr> <td rowspan="2">Detection indicator (red)</td> <td>ON</td> <td></td> </tr> <tr> <td>OFF</td> <td></td> </tr> </table>	Sensing object	Present		Not present		Output transistor (load)	ON		OFF		Detection indicator (red)	ON		OFF		Sensing object	Present		Not present		Output transistor (load)	ON		OFF		Detection indicator (red)	ON		OFF		<p>Timing chart</p> <p>E2V-X1 (-M1/-M1TJ) (NO Type) E2V-X2 (-M1/-M1TJ) (NC Type)</p> <p>NO Type</p>  <p>NC Type</p> 
Sensing object		Present																													
	Not present																														
Output transistor (load)	ON																														
	OFF																														
Detection indicator (red)	ON																														
	OFF																														
Sensing object	Present																														
	Not present																														
Output transistor (load)	ON																														
	OFF																														
Detection indicator (red)	ON																														
	OFF																														

[Indicator lamp]

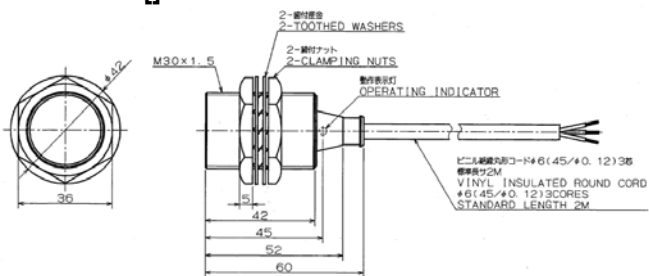
Product discontinuation	Recommendable replacement
<p>E2EV series</p>  <p>It is hard to see it by an angle</p>	<p>E2V series</p>  <p>The indicator is visible from any direction.</p> <p>180°</p> <p>The indicator is visible from any direction.</p> <p>180°</p> <p>E2V Pre-wired Models and Pre-wired Connector Models</p> <p>E2V Connector Models</p>

[Mounting dimensions]

Product discontinuation	Recommendable replacement
<p>E2EV-X2B[] E2EV-X2C[]</p>  <p>2-歯付座金 2-TOOTHED WASHERS</p> <p>2-締付ナット 2-CLAMPING NUTS</p> <p>動作表示灯 OPERATING INDICATOR</p> <p>M12x1</p> <p>17</p> <p>47</p> <p>50</p> <p>60</p> <p>ビニル絶縁丸形コードφ6(45/φ0.12)3芯 標準長さ2M VINYL INSULATED ROUND CORD φ6(45/φ0.12)3CORES STANDARD LENGTH 2M</p>	<p>E2V-X2B[] E2V-X2C[]</p>  <p>2-歯付座金 2-TOOTHED WASHERS</p> <p>2-締付ナット 2-CLAMPING NUTS</p> <p>表示灯 注1 INDICATOR NOTE1</p> <p>M12x1</p> <p>17</p> <p>47</p> <p>60</p> <p>52.1</p> <p>ビニル絶縁丸形コード φ6.325(導体断面積:0.5mm², 絶縁径:φ1.9mm) 標準長さ2M VINYL INSULATED ROUND CORD 6Dia 3CORE CONDUCTOR CROSS SECTIONAL AREA:0.5mm² INSULATION OUTSIDE DIAMETER:1.9mm STANDARD LENGTH 2m</p>
<p>E2EV-X5B[] E2EV-X5C[]</p>  <p>2-歯付座金 2-TOOTHED WASHERS</p> <p>2-締付ナット 2-CLAMPING NUTS</p> <p>動作表示灯 OPERATING INDICATOR</p> <p>M18x1</p> <p>24</p> <p>42</p> <p>45</p> <p>52</p> <p>60</p> <p>ビニル絶縁丸形コードφ6(45/φ0.12)3芯 標準長さ2M VINYL INSULATED ROUND CORD 6Dia, (45/φ0.12)3CORES STANDARD LENGTH 2M</p>	<p>E2V-X5B[] E2V-X5C[]</p>  <p>2-歯付座金 2-TOOTHED WASHERS</p> <p>2-締付ナット 2-CLAMPING NUTS</p> <p>表示灯 注1 INDICATOR NOTE1</p> <p>M18x1</p> <p>24</p> <p>42</p> <p>52.1</p> <p>60</p> <p>ビニル絶縁丸形コード φ6.325(導体断面積:0.5mm², 絶縁径:φ1.9mm) 標準長さ2M VINYL INSULATED ROUND CORD 6Dia 3CORE CONDUCTOR CROSS SECTIONAL AREA:0.5mm² INSULATION OUTSIDE DIAMETER:1.9mm STANDARD LENGTH 2m</p>
	<p>E2V-X8C1-M1</p>  <p>2-歯付座金 2-TOOTHED WASHERS</p> <p>2-締付ナット 2-CLAMPING NUTS</p> <p>表示灯 注1 INDICATOR NOTE1</p> <p>M12x1</p> <p>24</p> <p>42</p> <p>46.9</p> <p>60.2</p> <p>4-歯付座金 4-INDICATOR NOTE1</p>

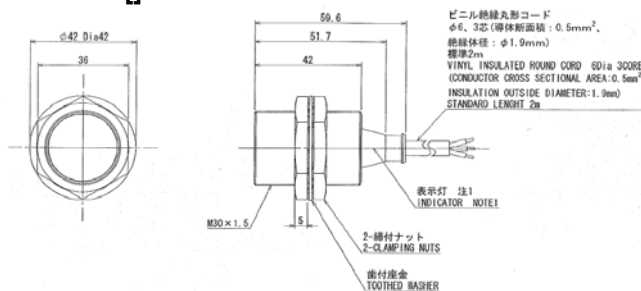
Product discontinuation

E2EV-X10B□
E2EV-X10C□

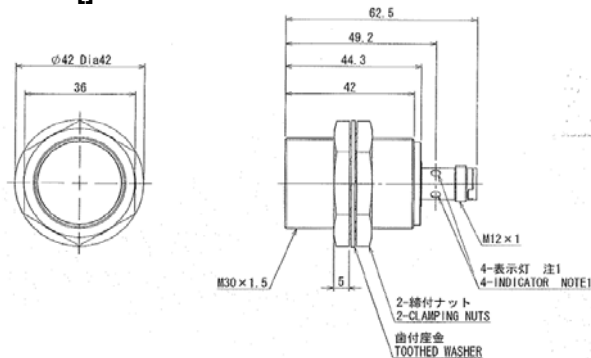


Recommendable replacement

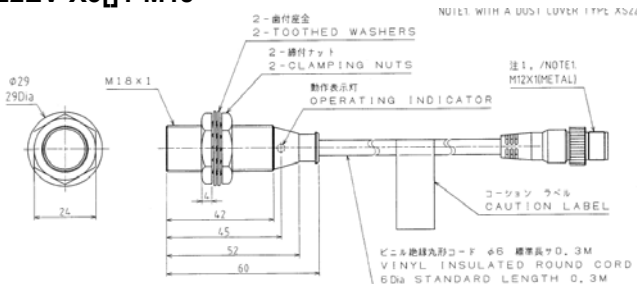
E2V-X10B□
E2V-X10C□



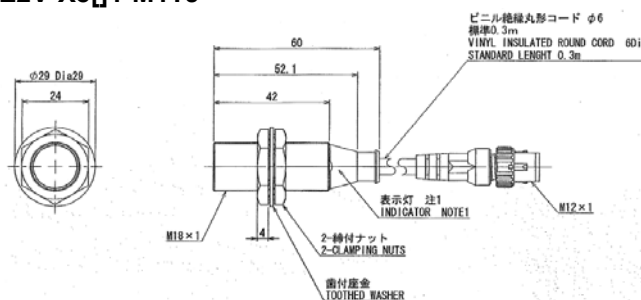
E2V-X15□1-M1



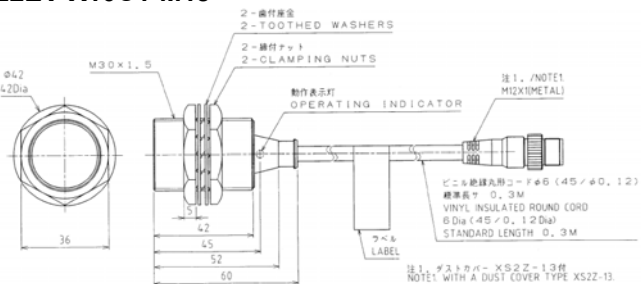
E2EV-X5□1-M1J



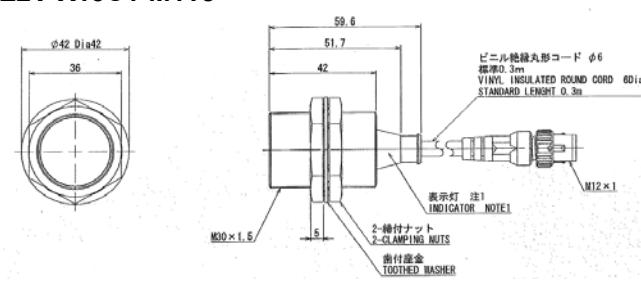
E2V-X8□1-M1TJ



E2EV-X10C1-M1J



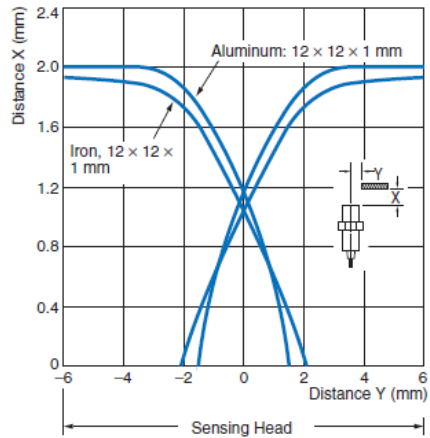
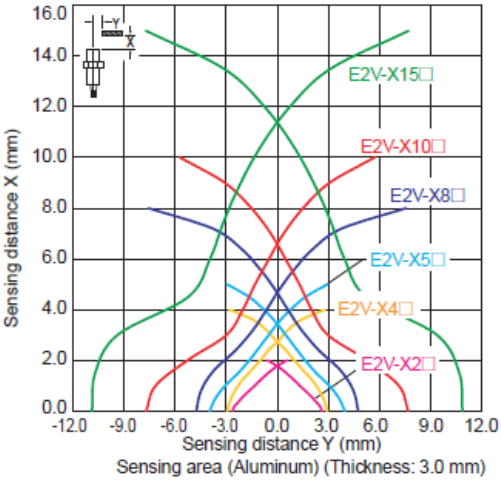
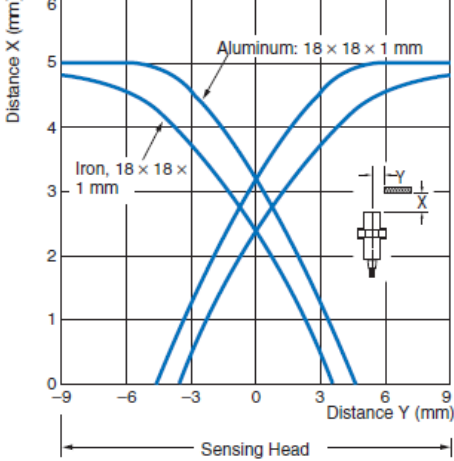
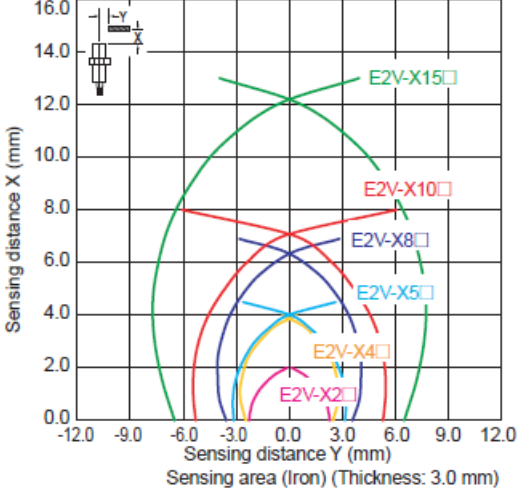
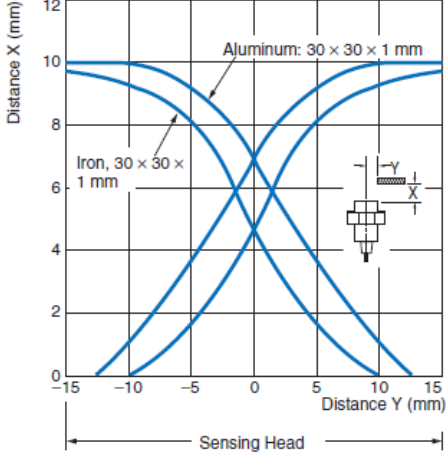
E2V-X15C1-M1TJ



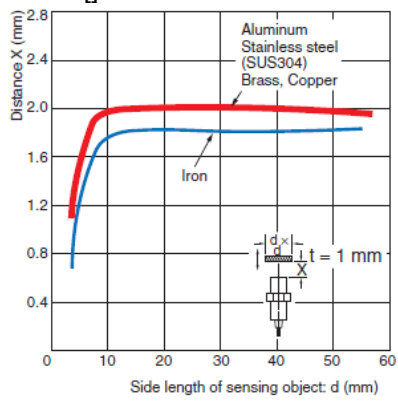
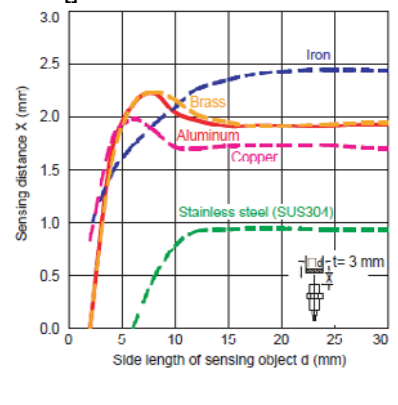
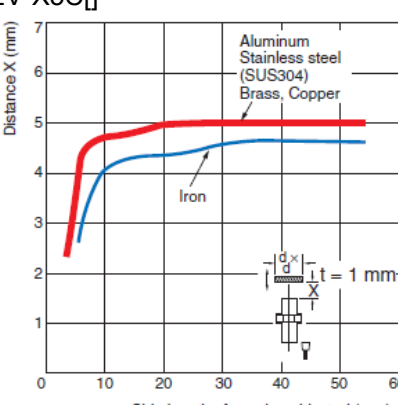
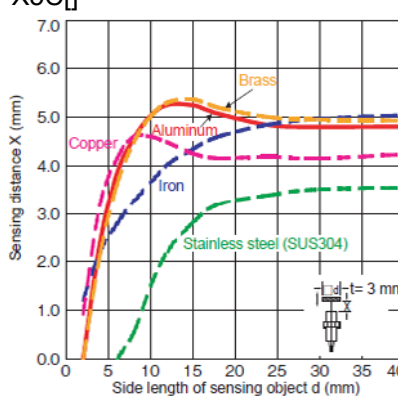
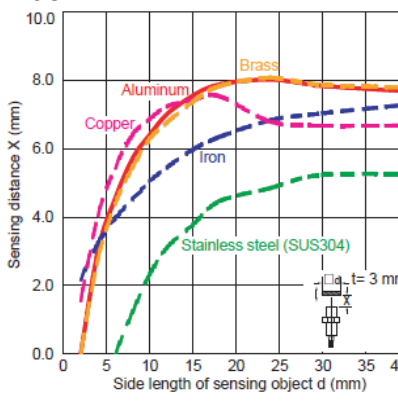
[Characteristics]

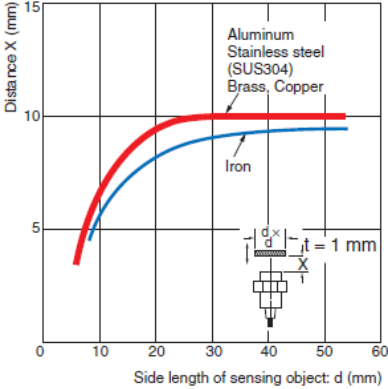
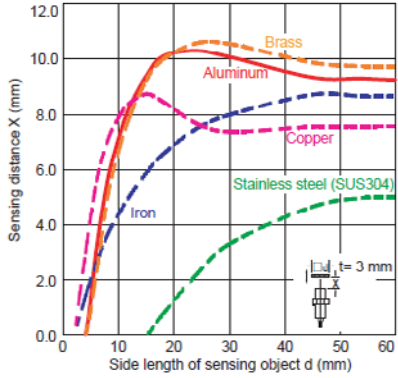
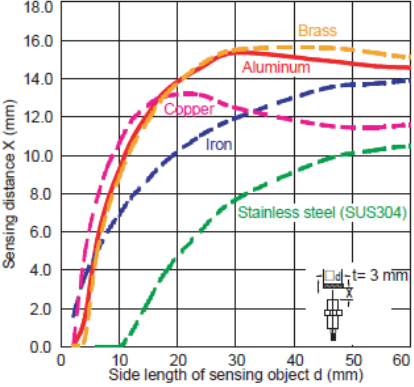
Item	Product discontinuation	Recommendable replacement
	Model E2EV series	Model E2V series
Sensing distance	X2; 2 mm X5; 5 mm X10; 10 mm	X2; 2 mm X5; 5 mm X8; 8 mm X10; 10 mm X15; 15 mm
Setting distance	X2; 0 to 1.4 mm X5; 0 to 3.5 mm X10; 0 to 7 mm	X2; 0 to 1.6 mm X5; 0 to 4.0 mm X8; 0 to 6.4 mm X10; 0 to 8.0 mm X15; 0 to 12.0 mm
Differential distance	10% max.	
Sensing object	Ferrous metal and non-ferrous metal	Ferrous metal and non-ferrous metal (The sensing distance depends on the material of the sensing object.)
Standard sensing object	Aluminum: X2; 12 × 12 × t1 mm X5; 18 × 18 × t1 mm X10; 30 × 30 × t1 mm	Aluminum: X2; 12 × 12 × t3 mm X5; 18 × 18 × t3 mm X8; 24 × 24 × t3 mm X10; 30 × 30 × t3 mm X15; 45 × 45 × t3 mm
Response frequency	X2; 150 Hz X5, X10; 70 Hz	X2; 150 Hz X5; 70 Hz X8; 40 Hz X10; 70 Hz X15; 30 Hz
Power supply voltage	±10% max. 12 to 24 VDC (10 to 30 VDC)	
Leakage current	15 mA max.	
Control output	100 mA max.	
Indicator lamp	Detection Indicator (red)	NO Models; Operation indicator (yellow) (flashing) Setting indicator (yellow) (lit) NC Models; Operation indicator (yellow) (lit)
Operating status	B1, C1; NO B2, C2; NC	
Protective circuits	Reverse polarity protection, Load short-circuit protection, Surge suppressor	Power supply reverse polarity protection, reversed output polarity protection, Load short-circuit protection, Surge suppressor
Ambient temperature	Operating, Storage: -10°C to +55°C (with no icing or condensation)	Operating, Storage; -25°C to +70°C (with no icing or condensation)
Ambient humidity	Operating, Storage: 35% to 95% (with no condensation)	
Temperature influence	±20% max. of sensing distance at 23°C in temperature range of -10°C to 55°C	X2, X5, X10; ±10% max. of sensing distance at 23°C in temperature range of -25°C to 70°C X8, X15; ±15% max. of sensing distance at 23°C in temperature range of -25°C to 70°C
Voltage influence	±2.5% max. of sensing distance in rated voltage range ±15%	±1.5% max. of sensing distance in rated voltage range ±15%
Insulation resistance	50 MΩ min. (500 VDC) between current carrying part and case	
Dielectric strength	1,000 VAC 50/60 Hz for 1 min between current carrying part and case	
Vibration resistance	10 to 55 Hz, 1.5-mm double amplitude for 2 hours each in X, Y, and z directions	
Shock resistance	Destruction; 1,000 m/s ² for 10 times each in X, Y, and Z directions	
Degree of protection	IEC60529 IP67, standards; oil-resistant (A direct connector type will be shuffled off.)	
Materials	Case; Brass, Nickel plated Sensing face; ABS resin	

[Operation ratings]

Product discontinuation	Recommendable replacement
<p>Sensing Area</p> <p>Model E2EV-X2B□ Model E2EV-X2C□</p> 	<p>Sensing Area</p> <p>Model E2V series</p> 
<p>Model E2EV-X5B□ Model E2EV-X5C□</p> 	
<p>Model E2EV-X10B□ Model E2EV-X10C□</p> 	

[Operation ratings]

Product discontinuation	Recommendable replacement
<p>Influence with materials</p> <p>Model E2EV-X2B[] Model E2EV-X2C[]</p> 	<p>Influence with materials</p> <p>Model E2V-X2B[] Model E2V-X2C[]</p> 
<p>Model E2EV-X5B[] Model E2EV-X5C[]</p> 	<p>Model E2V-X5B[] Model E2V-X5C[]</p> 
	<p>Model E2V-X8C1</p> 

Product discontinuation	Recommendable replacement
<p>Model E2EV-X10B[] Model E2EV-X10C[]</p> 	<p>Model E2V-X10B[] Model E2V-X10C[]</p> 
	<p>Model E2V-X15C1</p> 

Specifications and prices in this product news are as of the issue date and are subject to change without notice. Only main changes in specifications are described in this document. Please be sure to read the relevant catalogs, datasheets, product specifications, instructions, and manuals for precautions and necessary information when using products.