

Product Discontinuation Notices

August 1, 2011

Proximity Sensors

No. 2011E031

Discontinuation Notice of Proximity Sensors TL-YS15MB(-US) , TL-YS15MC(-US) and TL-YS15MY(-US) series

Product Discontinuation



TL-YS15MB(-US) series
TL-YS15MC(-US) series
TL-YS15MY(-US) series

TL-YS15MD11



Recommended Replacement

E2Q2-N20F1-H
E2Q2-N20E1-H
E2Q2-N15Y4-U

No Recommended Replacement

Discontinuation date : The end of March, 2012

Caution on recommended replacement

- Respondent difference of the replacement models is smaller than that of the conventional models.
- Response frequency of the replacement models is faster than that of the conventional models.
- The replacements come with the function of both the reverse connection protection circuitry on the power line and the overload short-circuit protection circuitry on the output line.
- The replacements are the products being imported from the foreign partner.

Difference from discontinued product

Model	Body Color	Dimensions	Wire connection	Mounting Dimensions	Characteristics	Operation ratings	Operation methods
E2Q2-N20F1-H	--	--	--	**	--	*	*
E2Q2-N20E1-H	--	--	--	**	--	*	*
E2Q2-N15Y4-U	--	--	--	**	--	*	*

** : Fully compatible

* : The change is a little/Almost compatible

-- : Not compatible

- : No corresponding specification

Product Discontinuation and recommended replacement

Product discontinuation Model	Recommended replacement Model
TL-YS15MY1 AC100-240	E2Q2-N15Y4-U
TL-YS15MY14 AC100-240	E2Q2-N15Y4-U
TL-YS15MY1-US AC100-240	E2Q2-N15Y4-U
TL-YS15MY14-US AC100-240	E2Q2-N15Y4-U
TL-YS15MY11 AC100-240	E2Q2-N15Y4-U
TL-YS15MY12 AC100-240	E2Q2-N15Y4-U
TL-YS15MY11-US AC100-240	E2Q2-N15Y4-U
TL-YS15MY12-US AC100-240	E2Q2-N15Y4-U
TL-YS15MC11 DC12-24	E2Q2-N20E1-H
TL-YS15MC14 DC12-24	E2Q2-N20E1-H
TL-YS15MC11-US DC12-24	E2Q2-N20E1-H
TL-YS15MC12-US DC12-24	E2Q2-N20E1-H
TL-YS15MC14-US DC12-24	E2Q2-N20E1-H
TL-YS15MB1 DC12-24	E2Q2-N20F1-H
TL-YS15MB11 DC12-24	E2Q2-N20F1-H
TL-YS15MB12 DC12-24	E2Q2-N20F1-H
TL-YS15MB14 DC12-24	E2Q2-N20F1-H
TL-YS15MY2 AC100-240	E2Q2-N15Y4-U
TL-YS15MY21 AC100-240	None
TL-YS15MY22 AC100-240	None
TL-YS15MY24 AC100-240	None
TL-YS15MC1 DC12-24	E2Q2-N20E1-H
TL-YS15MC1-US DC12-24	E2Q2-N20E1-H
TL-YS15MD11	None
TL-YS15MB1-US DC12-24	E2Q2-N20F1-H
TL-YS15MB11-US DC12-24	E2Q2-N20F1-H
TL-YS15MB14-US DC12-24	E2Q2-N20F1-H
TL-YS15MY21-US	E2Q2-N15Y4-U
TL-YS15MD14-US	None

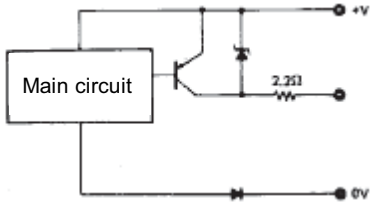
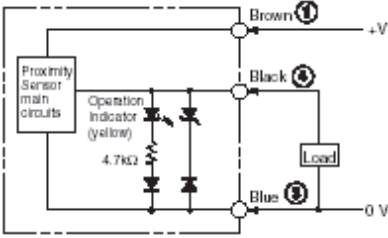
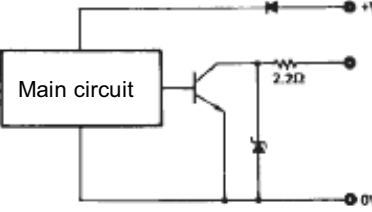
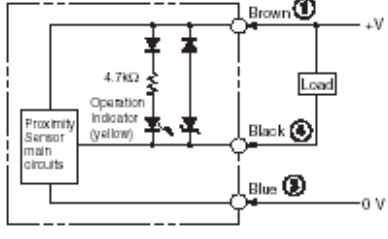
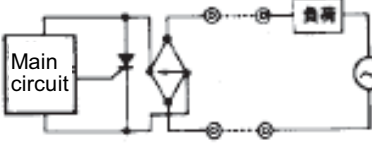
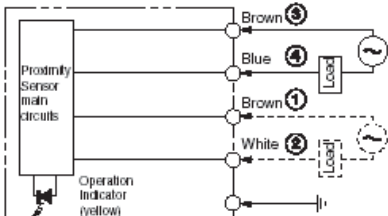
Body color

Product discontinuation TL-YS series	Recommendable replacement E2Q2 series
Yellow	Gray

Dimensions

Product discontinuation TL-YS series	Recommendable replacement E2Q2 series
<p>TL-YS15M series</p>	<p>E2Q2-N20F1-H, E2Q2-N15Y4-U</p>
<p>TL-YS15M(-US) series</p>	<p>E2Q2-N15Y4-U</p>

Wire Connection

Product discontinuation TL-YS series	Recommendable replacement E2Q2 series
<p>TL-YS15MB(-US)</p> 	<p>E2Q2-N20F1-H</p> 
<p>TL-YS15MC(-US)</p> 	<p>E2Q2-N20E1-H</p> 
<p>TL-YS15MY(-US)</p> 	<p>E2Q2-N15Y4-U</p>  <p>Note: Only one load allowed!</p>

Characteristics

Item	Model	Product discontinuation		Recommended replacement	
		TL-YS15MB[](-US) TL-YS15MC[](-US)	TL-YS15MY[](-US)	E2Q2-N20F1-H E2Q2-N20E1-H	E2Q2-N15Y4-U
Sensing distance		15mm±10%		20mm±10%	15mm±10%
Differential travel		20%max		15%max	
Setting distance		0 to 12mm	0 to 12mm	0 to 16.2mm	0 to 12.15mm
Standard target size		40×40×1	40×40×1	60×60×1	45×45×1
Current consumption		15mA max	AC110V 1.5mA max AC220V 3.0mA max	20mA max	1.9mA max
switching frequency		40Hz	20Hz	150Hz	20Hz
Indicator		Sensing indicator (red LED)	Operating indicator (red LED)	Operating indicator (yellow LED) , Operating voltage (green LED)	
Protection degree		IP66		IP67	
influence of temperature		±10% max. of Sn at 23° in temperature range of -25 to 70 °C			