

**Product Discontinuation
Notices**

March 1, 2012

Wireless Components

No. 2012086E

Discontinuation Notice of WD30 series.

Product Discontinuation

DeviceNet Wireless Units



Model WD30 series

Recommended Replacement



No recommended replacement

Discontinuation date : The end of March, 2013

Product Discontinuation and recommended replacement

Product discontinuation	Recommended replacement
WD30-ME	No recommended replacement
WD30-ME01	No recommended replacement
WD30-SE	No recommended replacement
WD30-SE01	No recommended replacement
WD30-AT001	No recommended replacement

Body color

Product discontinuation

Model WD30-ME, WD30-SE
Body color : black



Model WD30-ME01, WD30-SE01
Body color : black



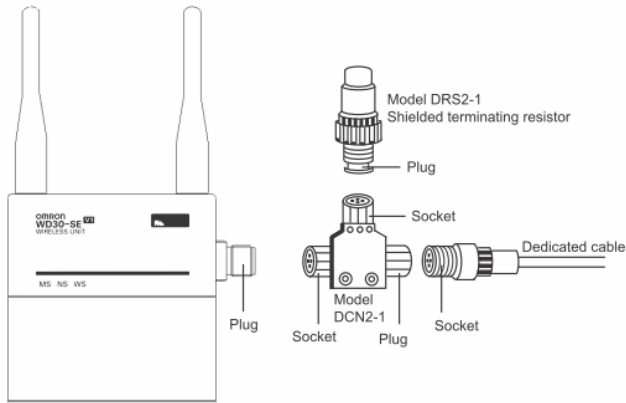
Model WD30-AT001
Body color : black



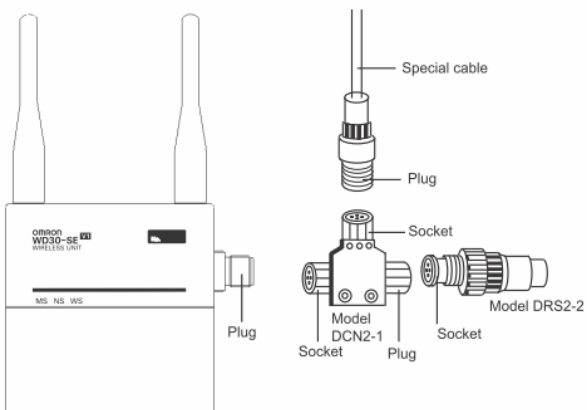
Wire connection

Product discontinuation Model WD30-ME, WD30-SE, WD30-ME01, WD30-SE01

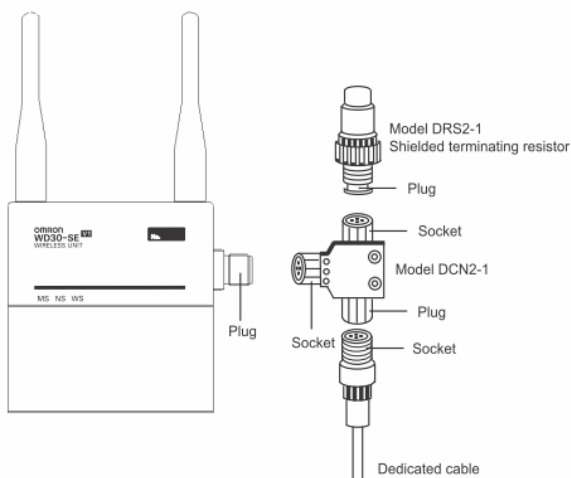
Example 1:
Connecting the cable on the side and installing a terminating resistor



Example 2:
Connecting the cable to the top, and installing a terminating resistor

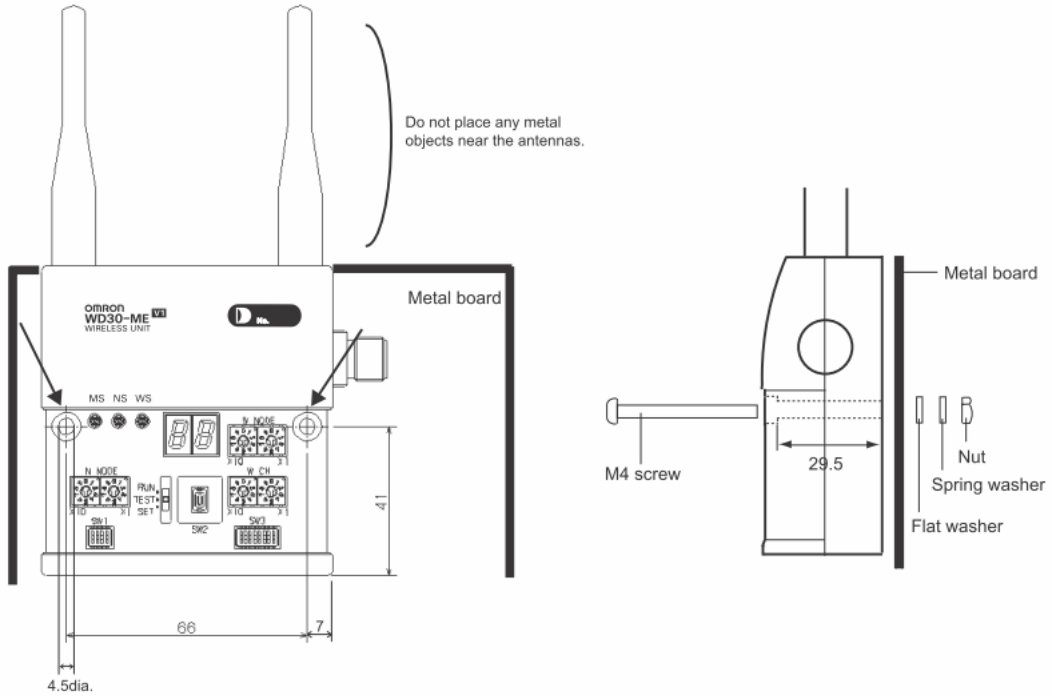


Example 3:
Connecting the cable to the bottom, and installing a terminating resistor



Mounting dimensions

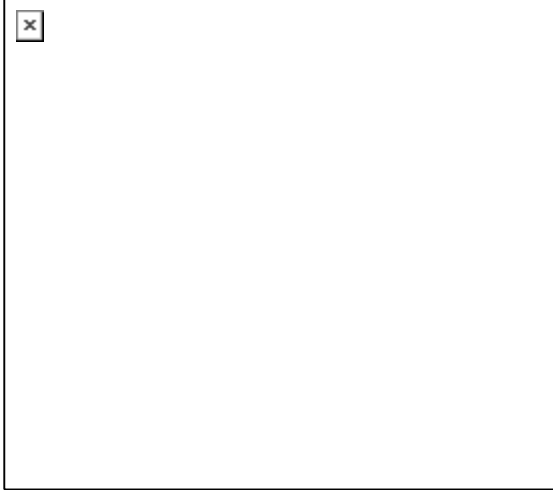
Product discontinuation
Model WD30-ME, WD30-SE, WD30-ME01, WD30-SE01



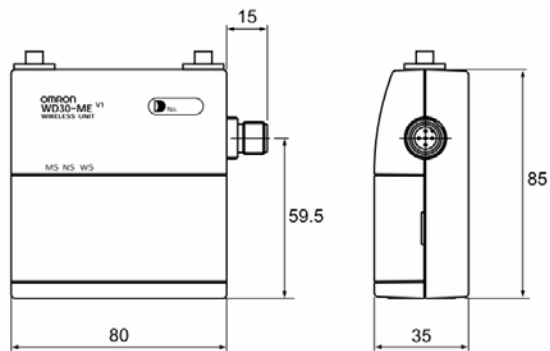
Dimensions

Product discontinuation

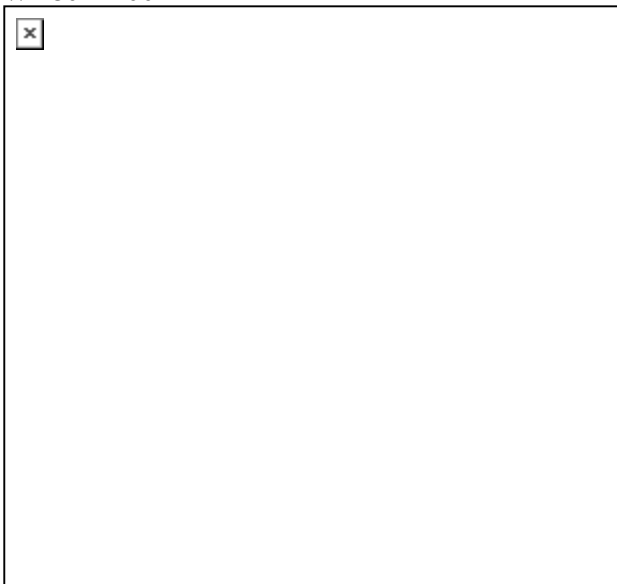
WD30-ME, WD30-SE



WD30-ME01, WD30-SE01



WD30-AT001



Characteristics

General Specifications

Item	Specifications
DeviceNet communications power supply voltage	11 to 25 VDC (Supplied from the DeviceNet network power supply.)
Current consumption (See note.)	350 mA max. (at startup), 120 mA average
Ambient temperature	Operating: -10° to 50°C
	Storage: -20° to 65°C
Ambient humidity	Operating: 25% to 85% (with no condensation)
Weight	Approx. 200 g

Note: Select a power supply with excess capacity. (We recommend a minimum of 25 W.)

Wireless Interface Specifications

Item	Specifications
Wave type	Spread Spectrum (direct sequence; DS-SS)
Communication method	Simplex (half duplex)
Frequency band	2.4 GHz (2401 MHz to 2480.2 MHz)
Number of channels	67 channels (based on frequency division)
Antenna power	10 mW
Data transfer speed between wireless units	100 kbps
Transmission distance (See note 1.)	Indoors: 60 m (approx. 50 m with magnetic base antennas)
	Outdoors: 300 m (unobstructed)
Relay stations	3 repeaters max.
Max. number of sets in the same area (See note 1.)	10 sets max.
Max. number of wireless Slaves	64 max.

Note:

1. The actual transmission distance depends on many factors in the installation environment.
2. The wireless system is not suitable for applications requiring real-time control.

DeviceNet Interface Specifications (Summary)

Item	Specifications	
Communications functions (See note.)	Master/Slave connections	Remote I/O functions and Explicit message communications functions
Self-diagnostic functions	Unit	WDT error, hardware errors (such as memory and CAN errors), and setting errors
	DeviceNet communications	Duplicate node address errors, Bus OFF detection, and connection timeout
Device profiles	Communication control unit	Refer to Appendix A of the WD30 DeviceNet Wireless Units Operation Manual for various DeviceNet IDs (vendor, device type = communication adapter, product code, product revision, product name, serial number, status, and I/O unit IDs.)

Note: FINS message communications are not supported. Explicit messages must be handled in the ladder program.

Characteristics

I/O Points

Name	Number of I/O points (words used)
DeviceNet Wireless Master	1,600 inputs max. (100 words)
	1,600 outputs max. (100 words)
DeviceNet Wireless Slave	512 inputs max. (32 words)
	512 outputs max. (32 words)

Note: Relay Stations can be used to create up to 3 levels and DeviceNet Slaves can be connected in each level.

Terminators are required when Slaves are connected to a Relay Station or Slave Station.

Operation methods

